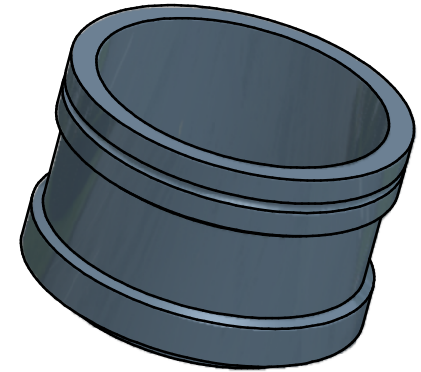
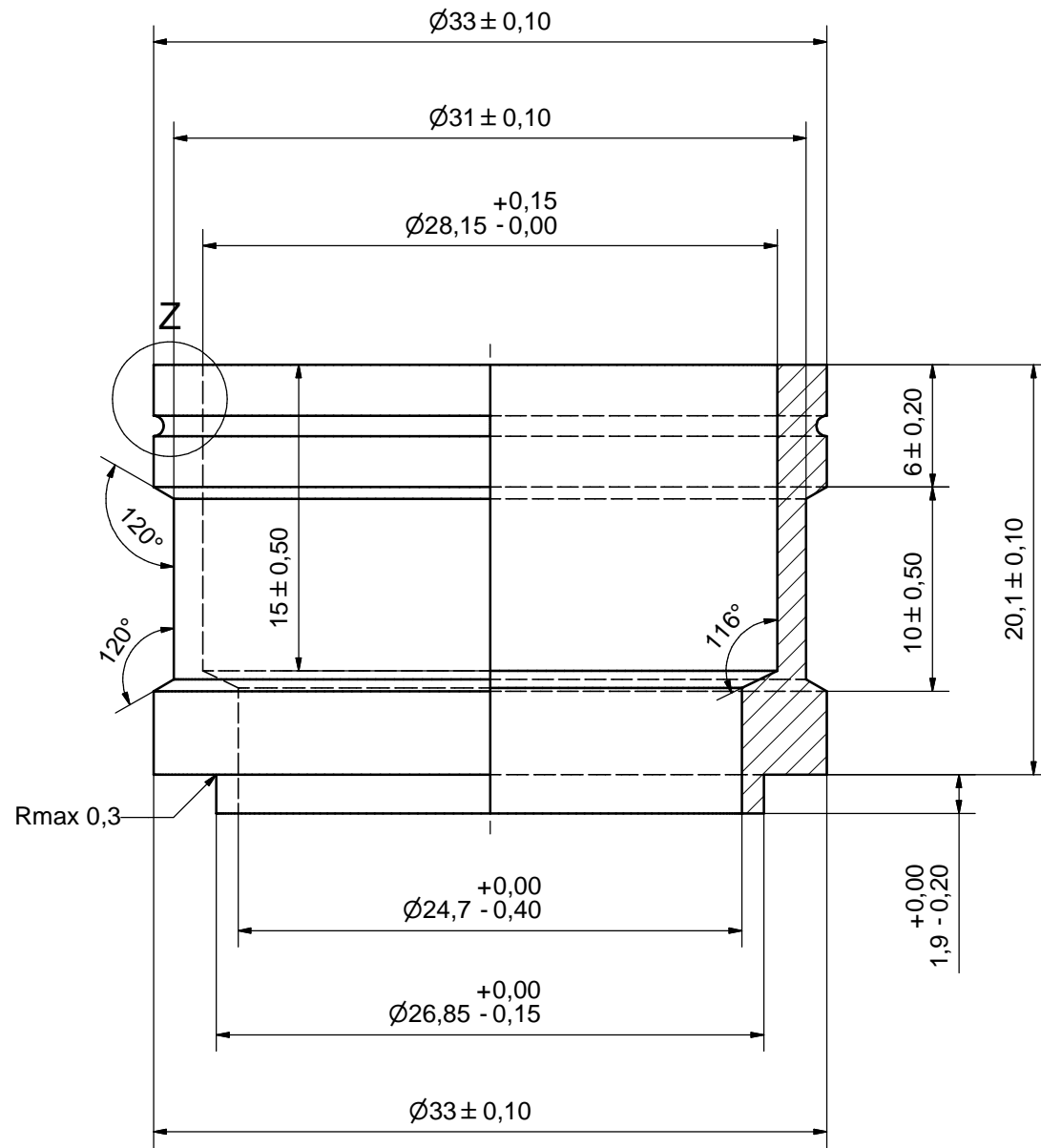
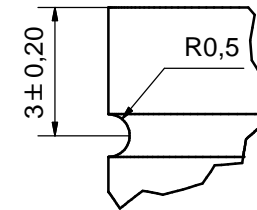


Rev No.	Alteration	Date	Checked	Approved
3	ADDED INFO FOR ID-TRACK	2008/09/11	JT	PDM



Z (8 : 1)



ONLY FOR IDENTIFICATION.

NOTE: THE DIMENSION OF THE TRACK WILL BE EITHER 0,5 OR 0,8 MM DEPENDING ON MANUFACTURING PROCESS.

Drawn	Checked	Approved	Created Date	General geometrical tolerancing ISO 2768	General surface finish R_a	Scale
JA	EG	BOS	1997-05-14	m	3.2	4:1
Title			SOLDER $\varnothing 28,15$			
Article number		Drawing number		Revision	Sheet	
-		CD000336		3	1 (1)	