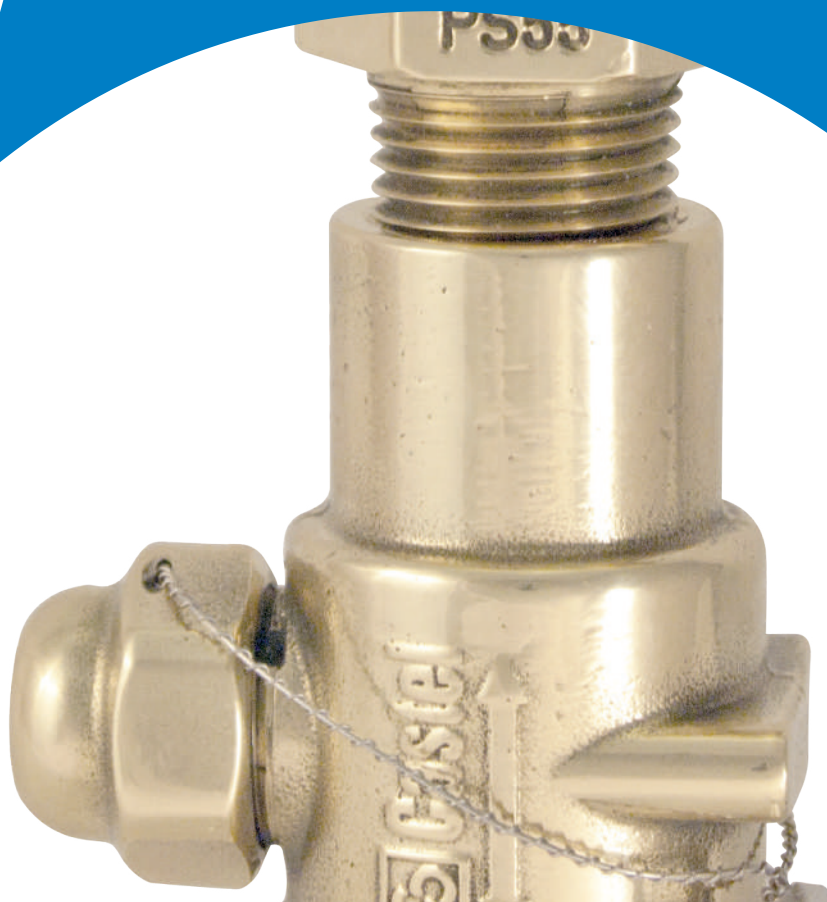


Ball shut-off valves for safety valves



Applications

We would like to remember to our customer that the running of pressure equipments and pressure assemblies is excluded by the scope of Directive 97/23/EC but it's regulated in compliance with national regulations of Member States of European Communities. Than these States passed laws and regulations that provide for periodical checks on the pressure equipments and assemblies.

Any intervention for periodic checking or replacement of an installed safety valve may become very difficult if the protected vessel is not equipped with a shut-off valve.

The shut-off valves series 3064, installed between vessel and safety valve, allow removing the valve for periodic checking or replacement without blowing off all the refrigerant from a section of the system.

These valves can be used with the same fluids foreseen for safety valves series 3030 and 3060, in particularly:

- Refrigerant fluids, in the physical state of gas or vapour, belonging to Group 2 according to the definitions of 97/23/EC Directive, Article 9, Point 2.2 (with reference to 67/548/EEC Directive of June 27th, 1967).
- Air and nitrogen (reference: 87/404/EEC Directive)

Construction

Castel supplies to its customers the valves series 3064 in open position and the ball spindle is protected by means of a cap screwed to the body and sealed with lead to it.

Any closing intervention on the valve forcedly causes the tampering of the seal and then these interventions shall be performed exclusively by:

- Staff authorized to work on the system
- Public servant of a Competent Body
These persons will be responsible for the next valve reopening and the new cap sealing with their own lead.

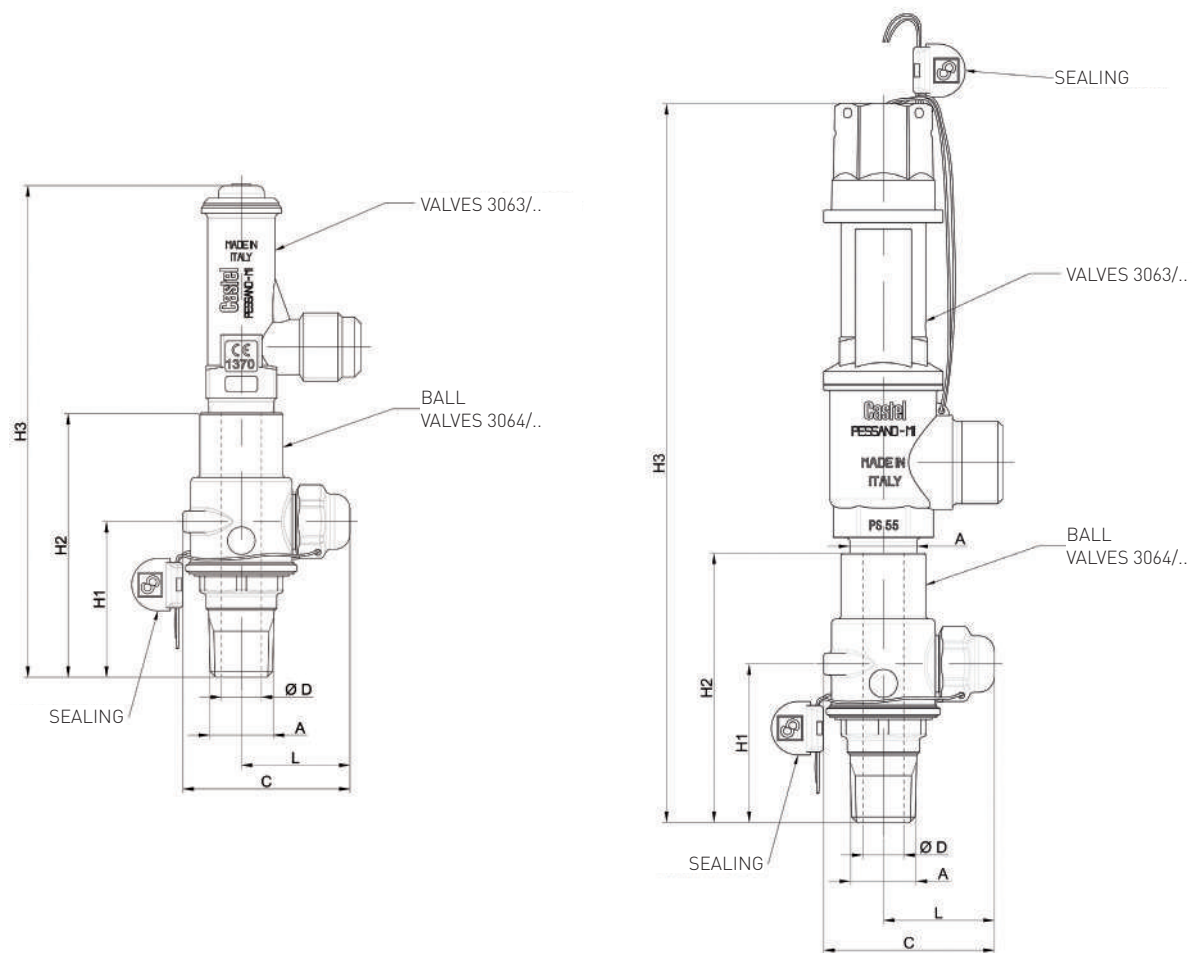
The main parts of valves 3064 are made with the following materials:

- Hot forged brass EN 12420 – CW 617N for body and for cap that covers the spindle.
- Hot forged brass EN 12420 – CW 617N, chromium plated, for ball.
- Steel, with proper surface protection, for the spindle.
- P.T.F.E. for seat ball gaskets.
- Chloroprene rubber (CR) for outlet seal gaskets



General characteristics

SERIES 3064	Catalogue Number	Designed for valve	Kv Factor [m ³ /h]	TS [°C]		PS [bar]	Dimensions [mm]						Inlet connection wrench torque (min/max) [Nm]	Weight [g]	Risk Category according to PED	
				min	max		Ø D	A	C	L	H ₁	H ₂				H ₃
3064/22	3060/23C 3060/24C	2,5	-50	+150	55	7	1/4" NPT	47	32	45	74	164	10/15	221	Art. 3.3	
3064/33	3060/33C 3060/34C	5				10	3/8" NPT	47	32	45	74	144	14/20	225		
3064/44	3060/45C 3060/46C	10				13	1/2" NPT	54	35	51	86	162	21/30	355		
	3030/44C											236				
3064/88	3030/88C	20	20	1" NPT	78	52	70	119	324	50/65	917					





B01-2015_RIS-EN

Castel has always been aware of environmental sustainability issues and gives its contribution to a cleaner environment, supplying the refrigeration and air conditioning industry with state-of-the-art and environment-friendly technology. With its commitment and steady research in its laboratories, Castel has developed a whole range of products using natural refrigerants, which reduce emissions to the minimum.



ISO 14001

Castel can accept no responsibility for any errors or changes in the catalogues, handbooks, brochures and other printed material. Castel reserves the right to make changes and improvements to its products without notice. All trademarks mentioned are the property of their respective owners. The name and Castel logotype are registered trademarks of Castel Srl. All rights reserved.

CASTEL S.r.l.

Via Provinciale, 2-4 (C.P. 67) - 20060 Pessano con Bornago (MI) - Tel. +39 02.957021 - Fax +39 02.95741317 - email info@castel.it - www.castel.it