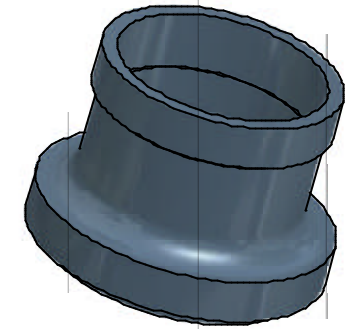
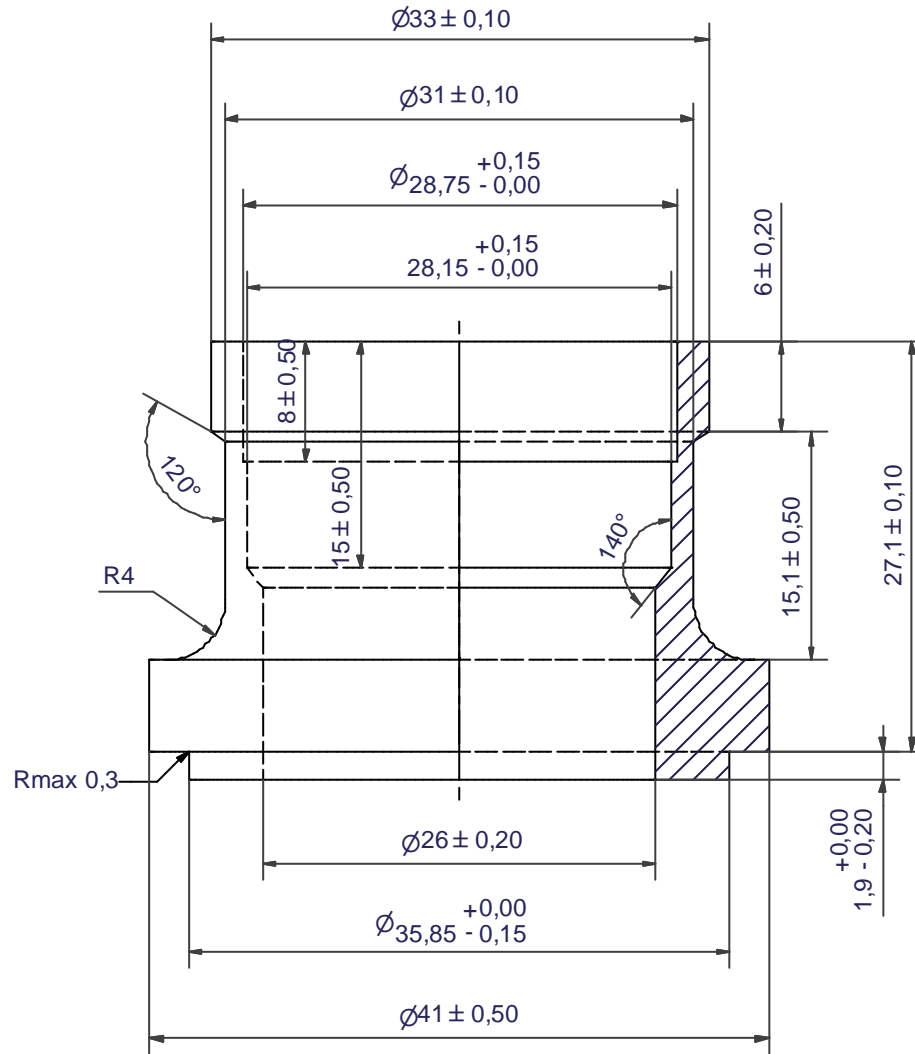


Rev No.	Alteration	Date	Checked	Approved
5	REDRAWN IN INVENTOR	2004/07/08	TN	PDM



© Company Confidential, Property of SWEP International AB

Drawn EG	Checked HR	Approved BOS	Created Date 1994/12/20	General geometrical tolerancing ISO 2768 m	General surface finish R_a 3.2		Scale 3:1
			Title SOLDER 28U				
			Article number -	Drawing number CD000205	Revision 5	Sheet 1 (1)	