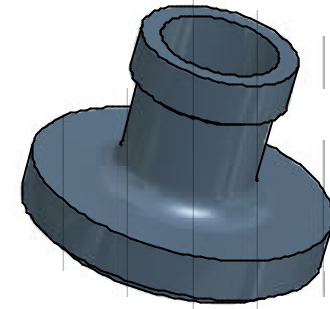
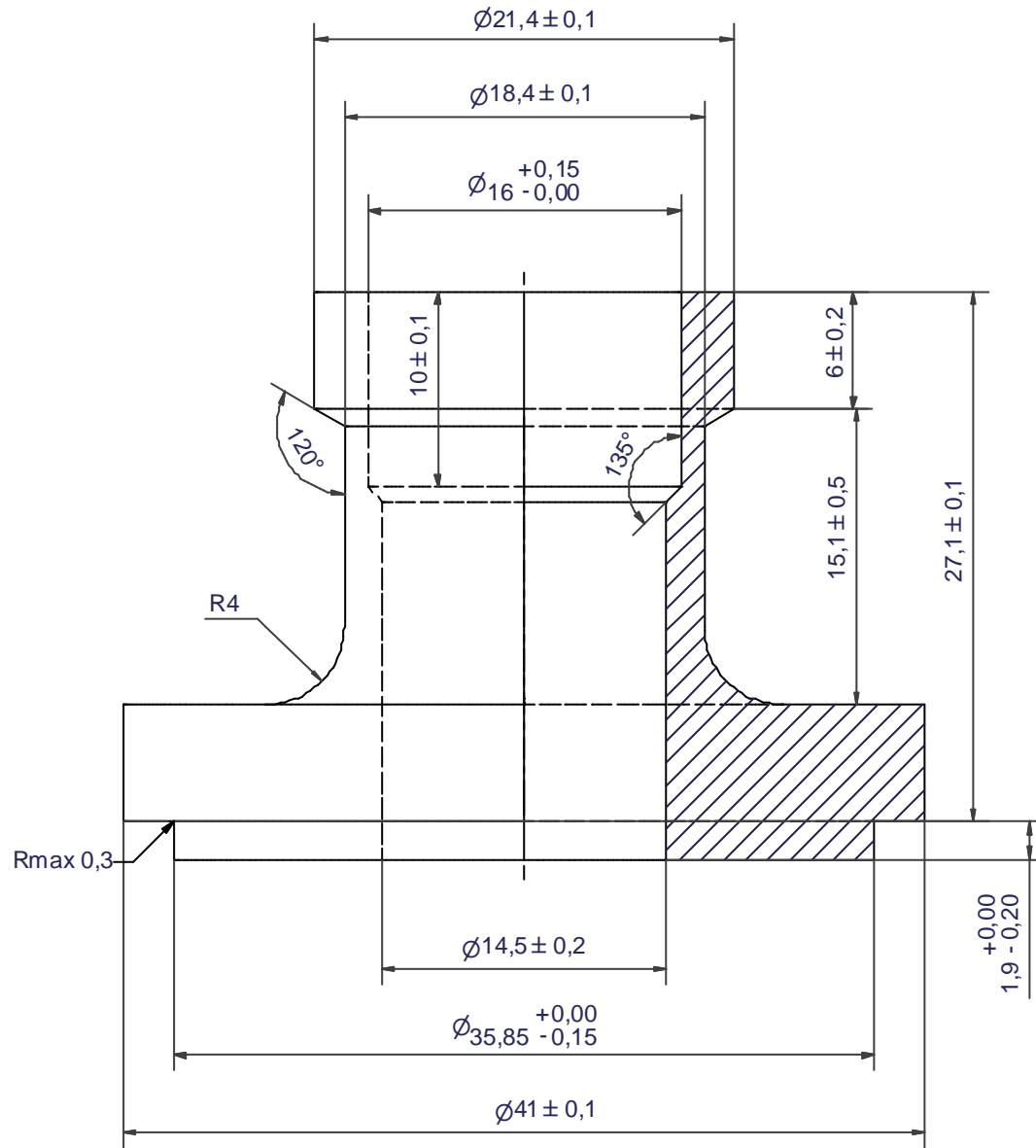


Rev No.	Alteration	Date	Checked	Approved
5	REDRAWN IN INVENTOR	2004/07/14	TN	PDM



© Company Confidential, Property of SWEP International AB

Drawn EG	Checked HR	Approved BOS	Created Date 1994/11/18	General geometrical tolerancing ISO 2768 m	General surface finish R_a 3.2		Scale 4:1
		Title SOLDER $\varnothing 16$					
A DOVER COMPANY		Article number -		Drawing number CD000198		Revision 5	
						Sheet 1 (1)	