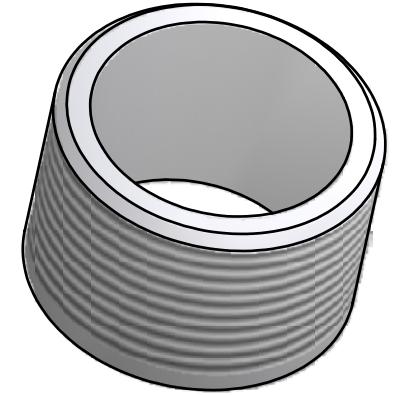
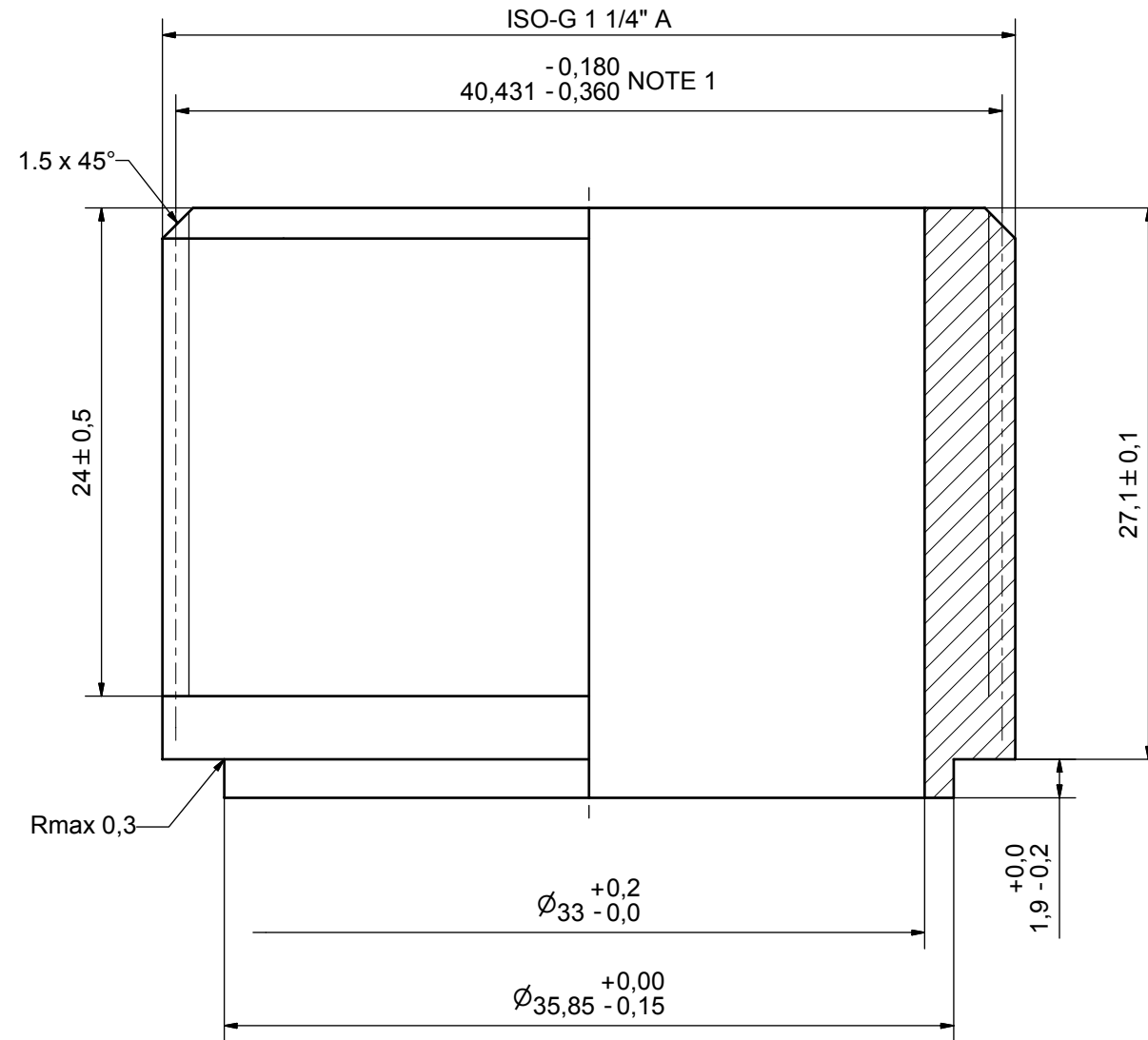


# SWEP MANUFACTURING

Rev No.	Alteration	Date	Checked	Approved
5	ADDED THREAD TOLERANCE & SHEET 2	2006/11/09	THE	PDM



© Company Confidential, Property of SWEP International AB

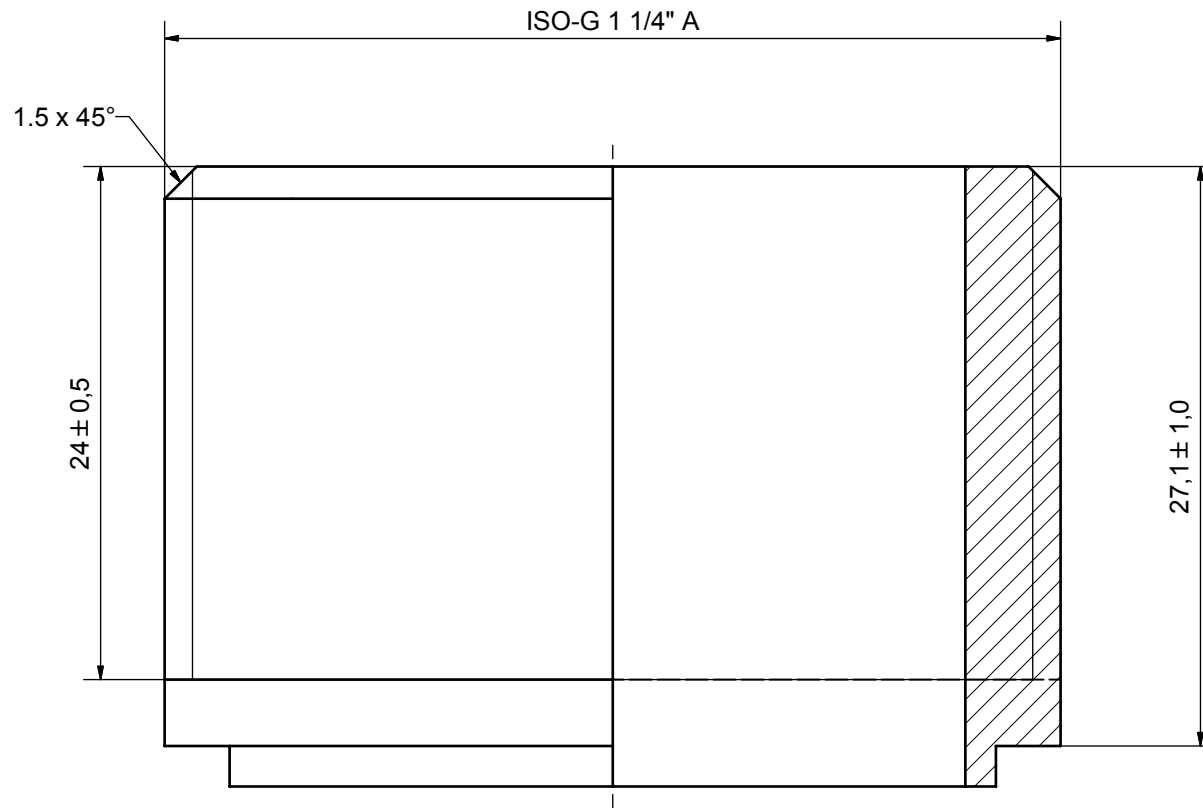
NOTE 1: ADDITIONAL REQUIREMENT ON ISO 228/1 THREAD  
PERMISSIBLE TOLERANCE ON PITCH DIAMETER

ACCORDING TO MQS  
MATERIAL

Drawn EG	Checked HR	Approved BOS	Created Date 1994/11/18	General geometrical tolerancing ISO 2768 m	General surface finish $R_a$ 3.2		Scale 4:1
			Title <b>ISO-G 1 1/4" A</b>				
Article number -		Drawing number CD000193		Revision 5		Sheet 1 (2)	

A DOVER COMPANY

# CUSTOMER MEASUREMENTS



© Company Confidential, Property of SWEP International AB

Drawn EG	Checked HR	Approved BOS	Created Date 1994/11/18	General geometrical tolerancing ISO 2768 m	General surface finish $R_a$ 3.2		Scale 4:1
		Title <b>ISO-G 1 1/4" A</b>					
Article number -			Drawing number CD000193		Revision 5	Sheet 2 (2)	

A DOVER COMPANY