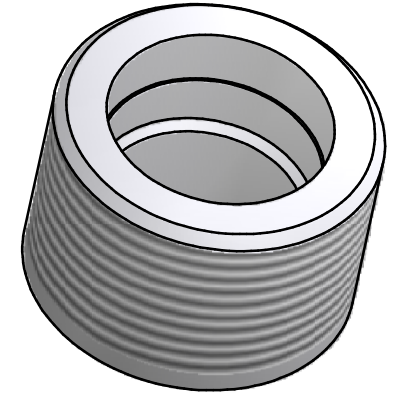
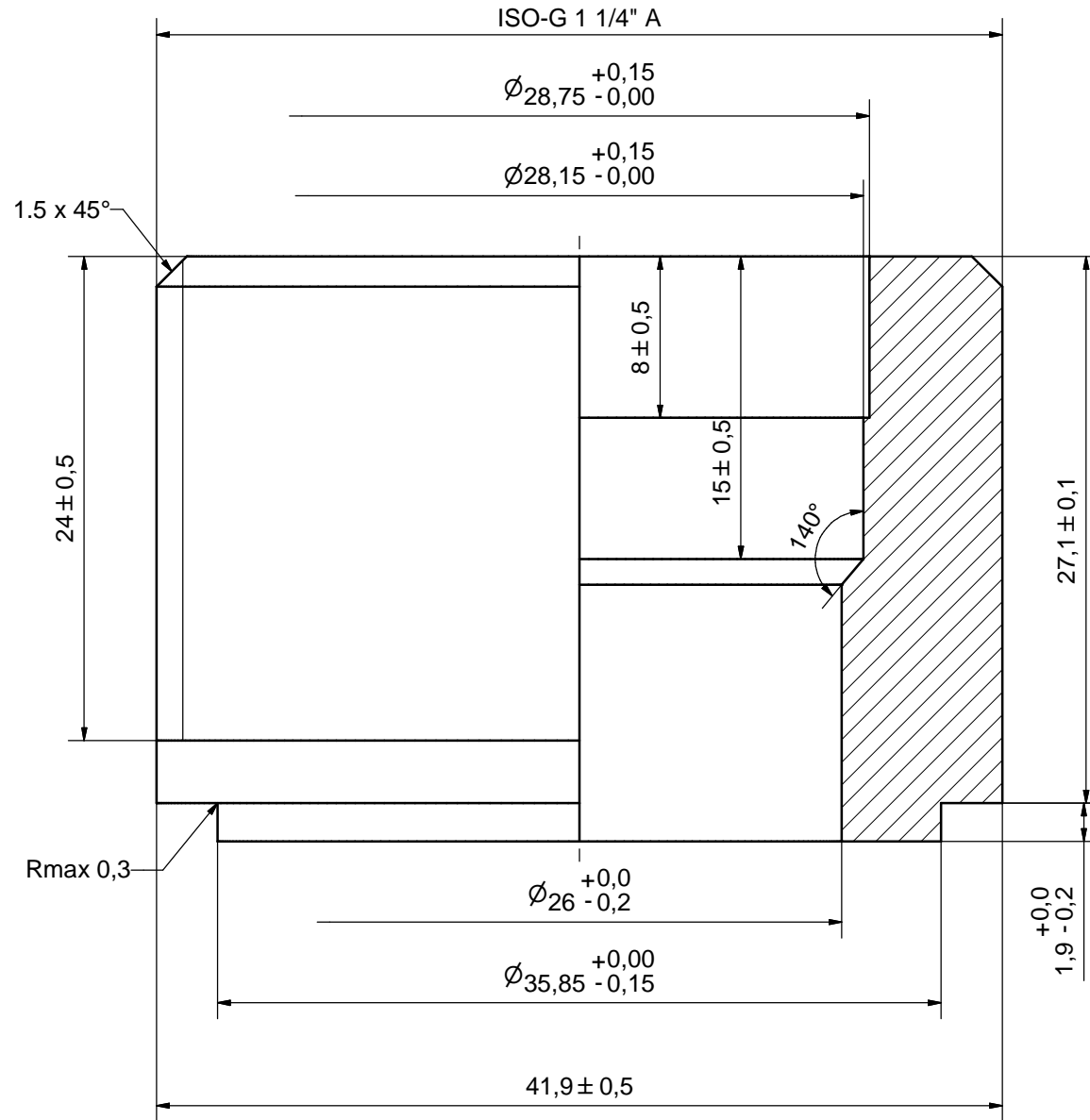


Rev No.	Alteration	Date	Checked	Approved
1	CHANGED DENOMINATION	2007/05/28	ANL	PDM



ACCORDING TO MQS
MATERIAL

Drawn	Checked	Approved	Created Date	General geometrical tolerancing ISO 2768	General surface finish R_a	Scale
THE	PDM	PDM	2006/05/09	m	3.2	4:1
SUPER A DOVER COMPANY				ISO-G 1 1/4" A & SOLDER 28U		
Article number		Drawing number		Revision		Sheet
-		CD000807		1		1 (1)