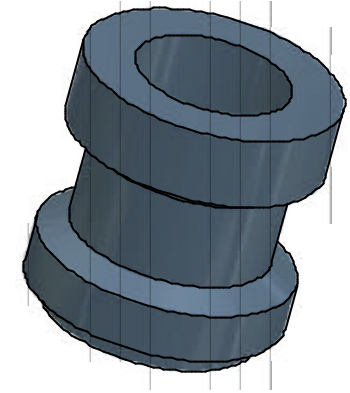
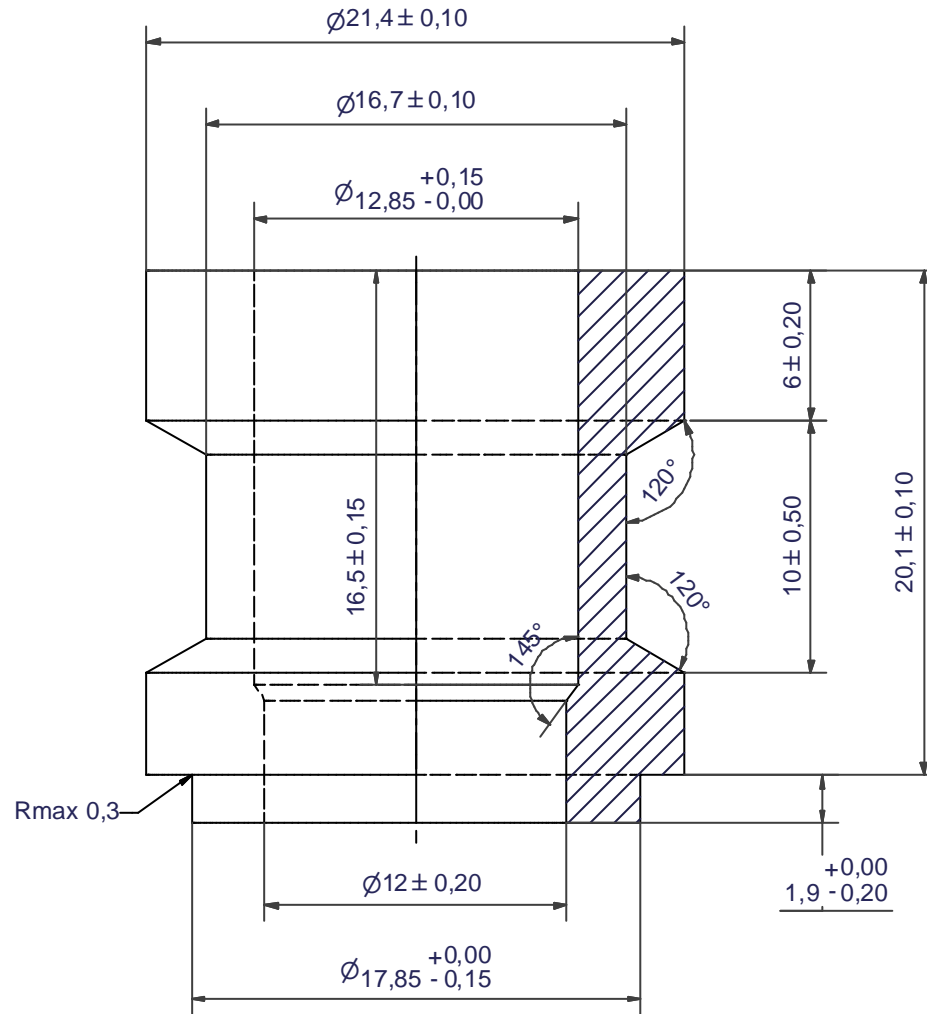


Rev No.	Alteration	Date	Checked	Approved
8	REDRAWN IN INVENTOR	2004/07/07	TN	PDM



© Company Confidential, Property of SWEPI International AB

Drawn HR	Checked TP	Approved VP	Created Date 1990/09/08	General geometrical tolerancing ISO 2768 m	General surface finish R_a 3.2		Scale 5:1
			Title SOLDER $\varnothing 12,8$				
A DOVER COMPANY			Article number -	Drawing number CD000097	Revision 8	Sheet 1 (1)	