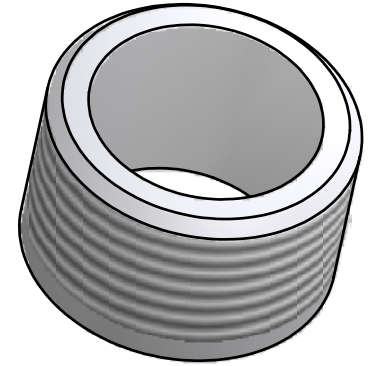
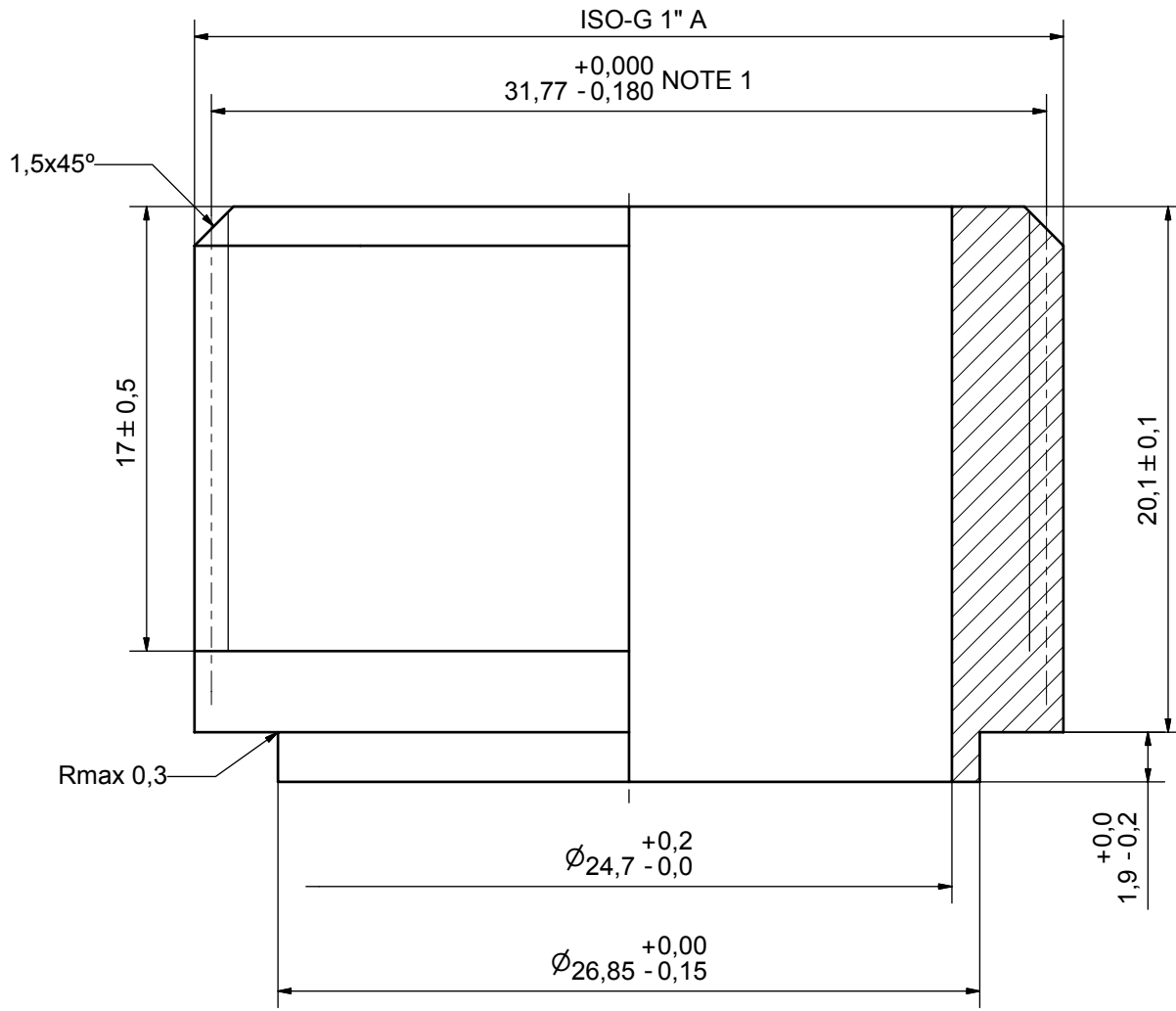


# SWEP MANUFACTURING

Rev No.	Alteration	Date	Checked	Approved
13	CHANGED TOLERANCE OF THREAD	2006/12/11	THE	PDM



© Company Confidential, Property of SWEP International AB

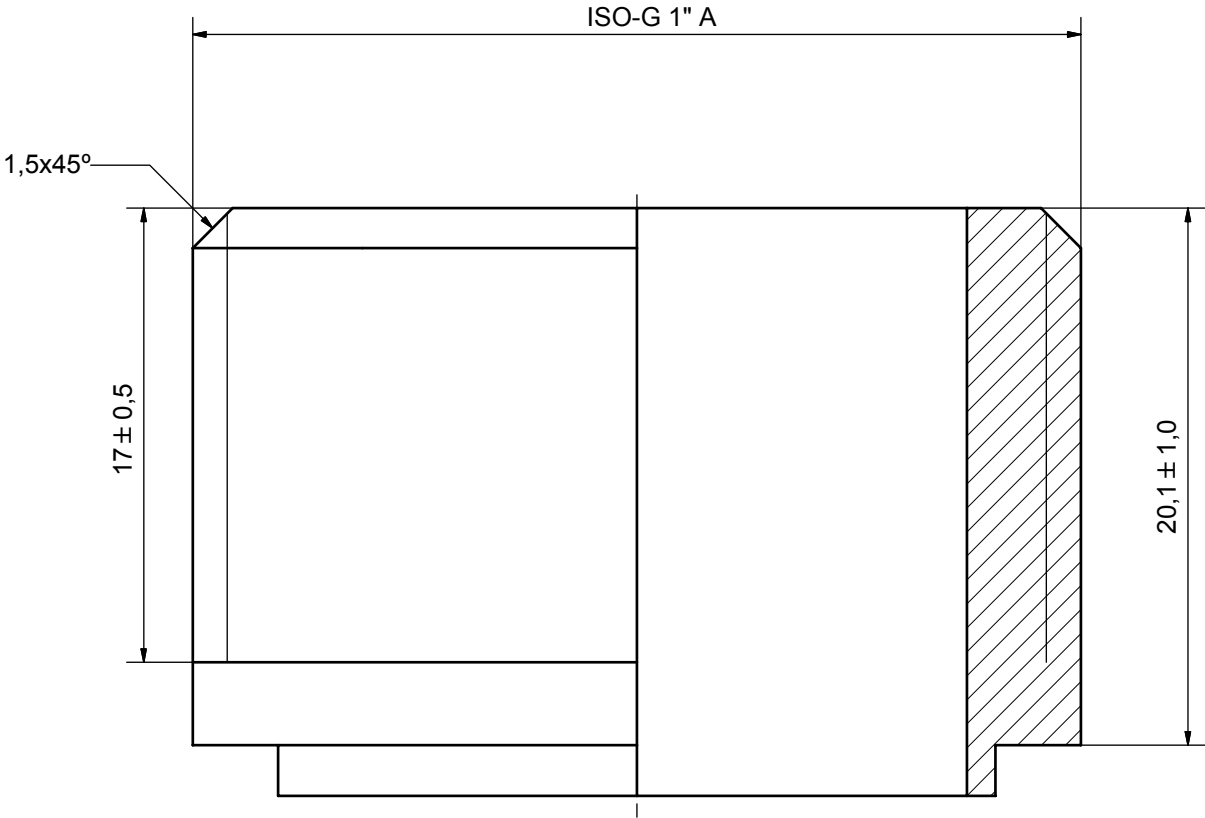
NOTE 1: ADDITIONAL REQUIREMENT ON ISO 228/1 THREAD  
PERMISSIBLE TOLERANCE ON PITCH DIAMETER

ACCORDING TO MQS  
MATERIAL

Drawn EG	Checked HR	Approved BOS	Created Date 1990/09/08	General geometrical tolerancing ISO 2768 m	General surface finish $R_a$ 3.2		Scale 5:1
			Title <b>ISO-G 1" A</b>				
Article number -		Drawing number CD000033		Revision 13	Sheet 1 (2)		

A DOVER COMPANY

# CUSTOMER MEASUREMENTS



© Company Confidential, Property of SWEP International AB

Drawn EG	Checked HR	Approved BOS	Created Date 1990/09/08	General geometrical tolerancing ISO 2768 m	General surface finish $R_a$ 3.2		Scale 5:1
		Title <b>ISO-G 1" A</b>					
			Article number -	Drawing number CD000033	Revision 13	Sheet 2 (2)	