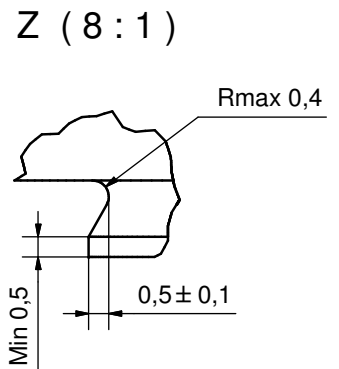
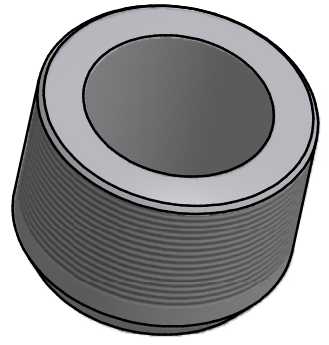
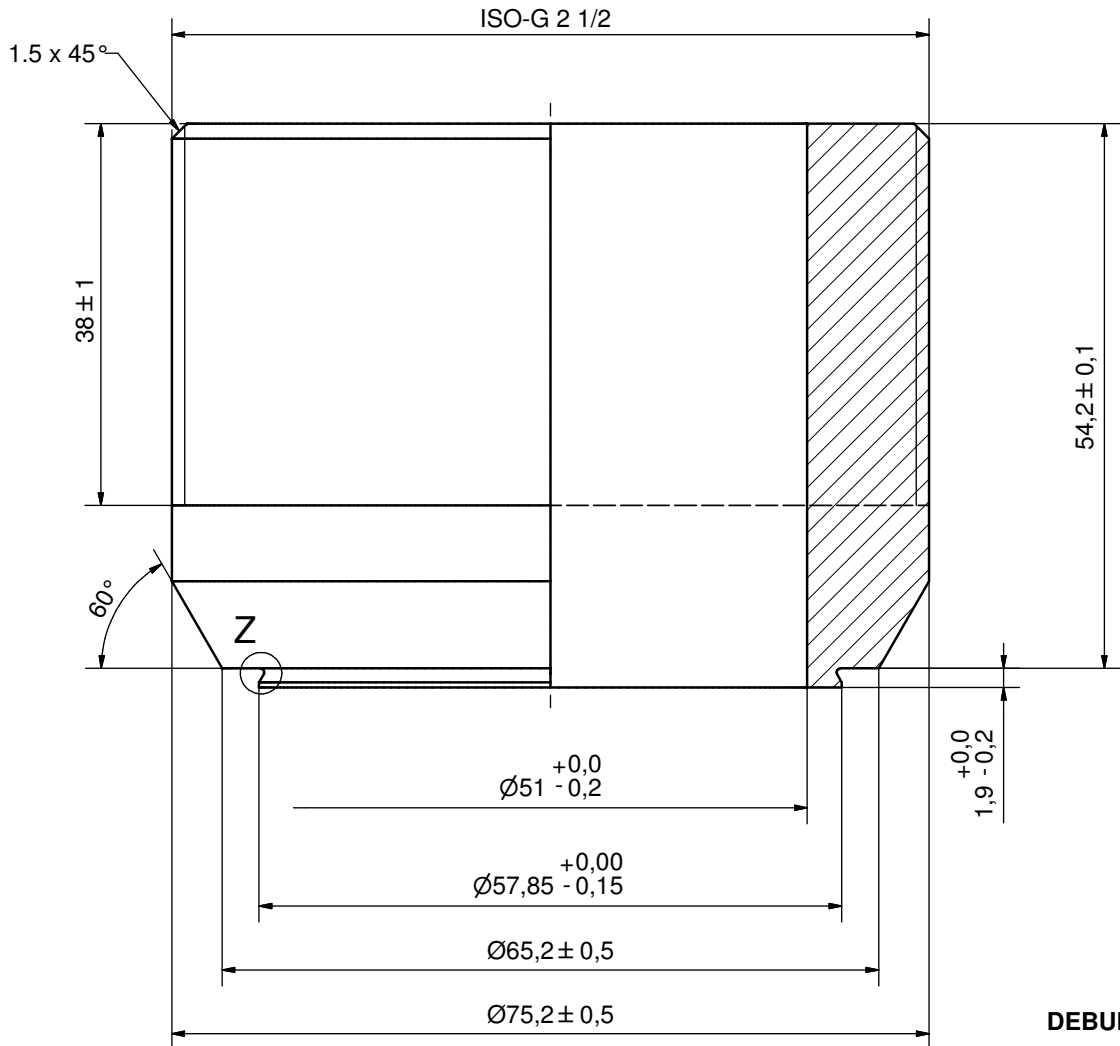


Rev No.	Alteration	Date	Checked	Approved
4	ADDED DEBURR & MATERIAL INFO	2009/07/29	AP	PDM



DEBURR SHARP EDGES; MAX 0,4

ACCORDING TO MQS
MATERIAL

Drawn	Checked	Approved	Created Date	General geometrical tolerancing ISO 2768	General surface finish R _a	Scale
JA	HB	STA	2003-11-27	m	3.2	2:1
			Title			
			ISO-G 2 1/2			
Article number		Drawing number		Revision	Sheet	
-		CD000648		4	1 (1)	