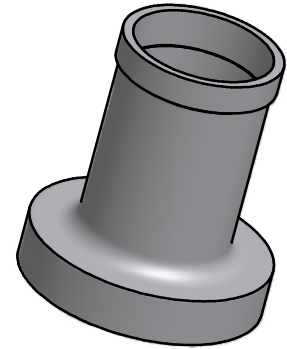
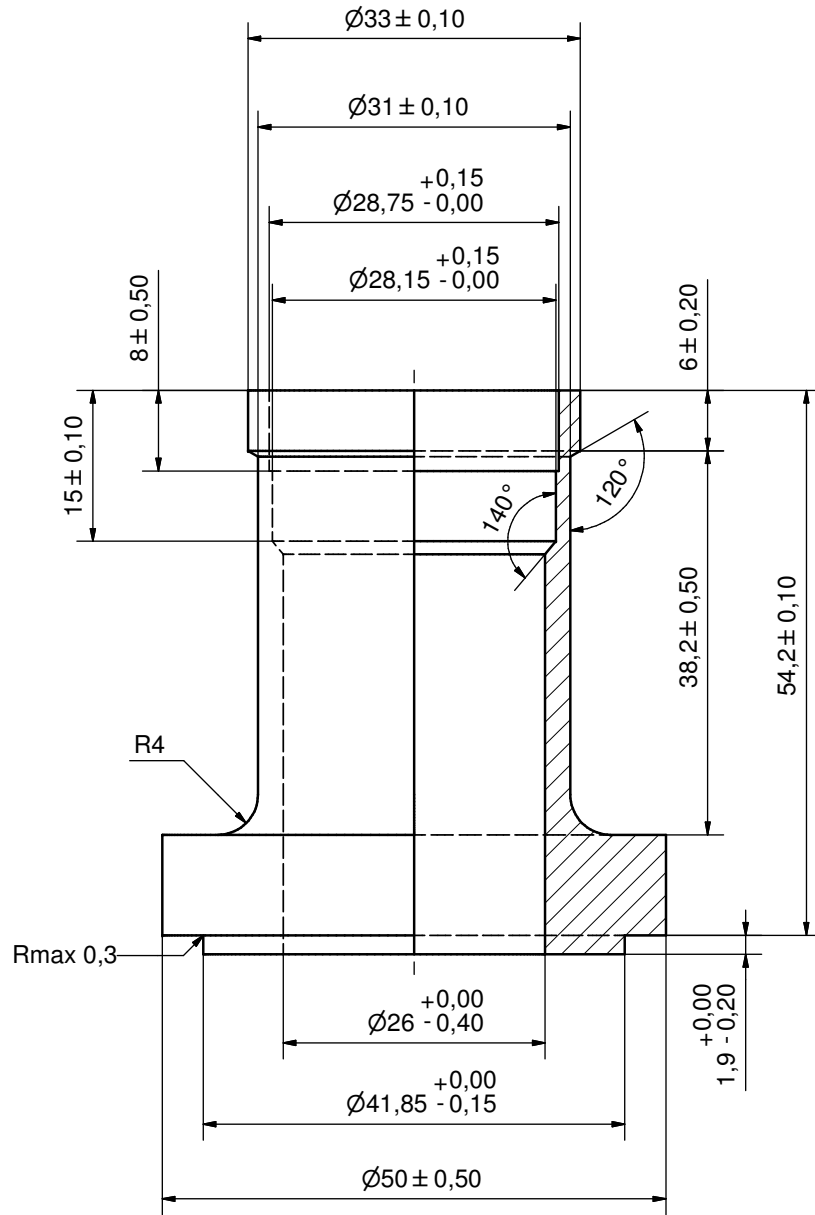



Rev No.	Alteration	Date	Checked	Approved
2	ADDED DEBURR & MATERIAL INFO	2009/07/29	AP	PDM



DEBURR SHARP EDGES; MAX 0,4

ACCORDING TO MQS
MATERIAL

Drawn EP	Checked JA	Approved PNI	Created Date 2002-11-18	General geometrical tolerancing ISO 2768 m	General surface finish Ra 3.2	Scale 2:1
			Title SOLDER 28U			
Article number -			Drawing number CD000608		Revision 2	Sheet 1 (1)