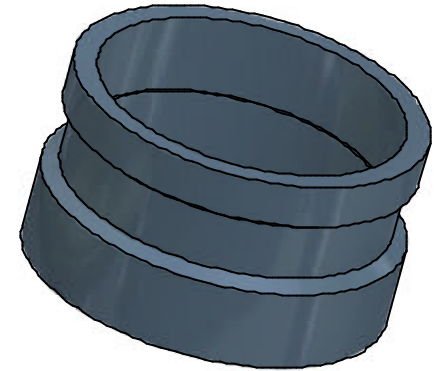
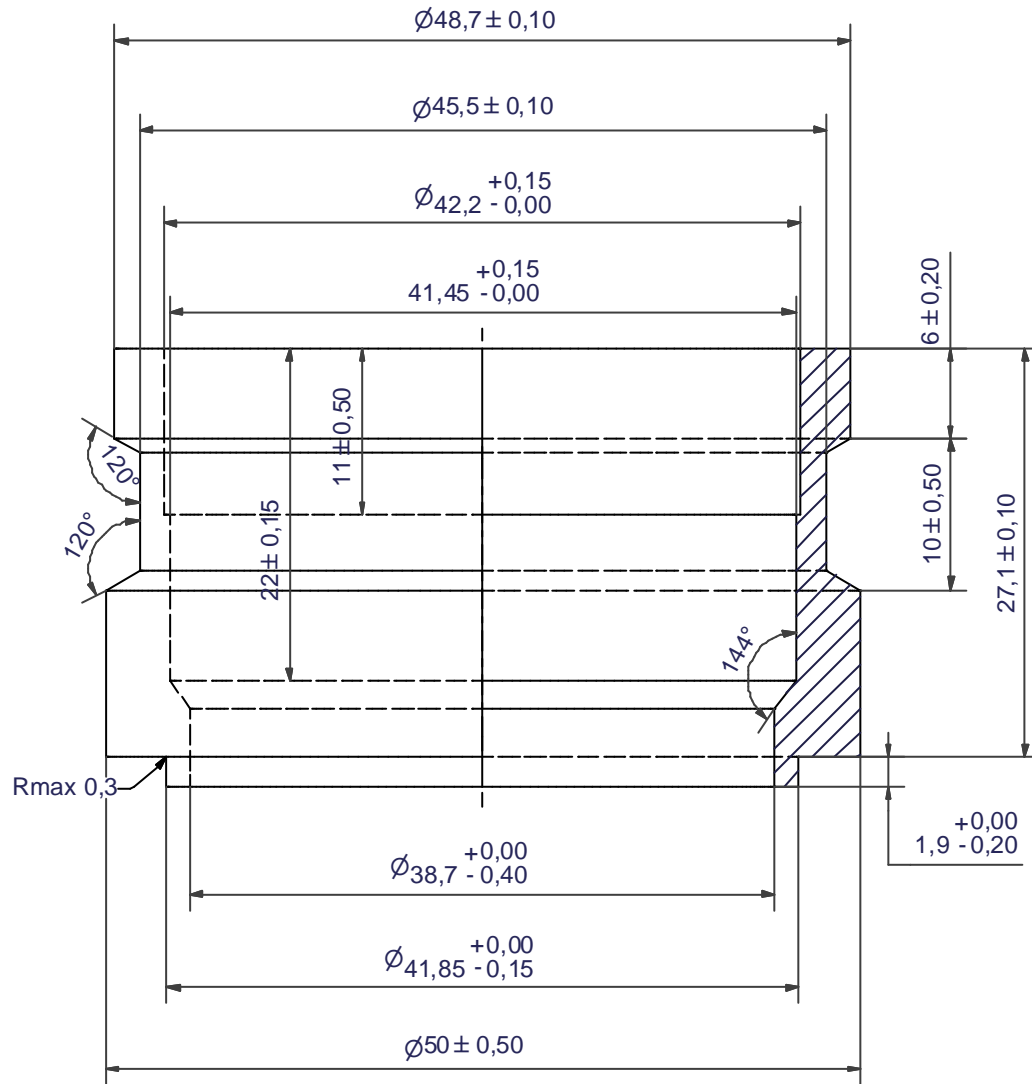


| Rev No. | Alteration | Date | Checked | Approved |
|---------|---------------------|------------|---------|----------|
| 11 | REDRAWN IN INVENTOR | 2004/07/07 | TN | PDM |



© Company Confidential, Property of SWEP International AB

| | | | | | | | |
|-------------|---------------|----------------|----------------------------|--------------------------------------------------|----------------------------------------|----------------|--------------|
| Drawn SA | Checked TP | Approved VP | Created Date 1990/09/08 | General geometrical tolerancing ISO 2768 m | General surface finish R_a 3.2 | | Scale 3:1 |
| | | | Title SOLDER 42U | | | | |
| | | | Article number - | Drawing number CD000100 | Revision 11 | Sheet 1 (1) | |