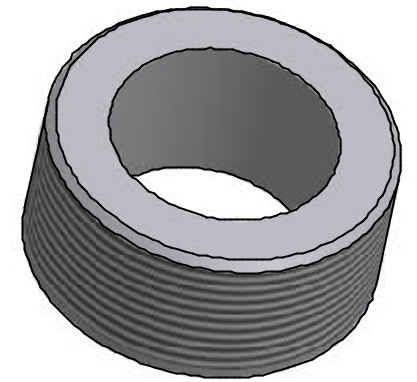
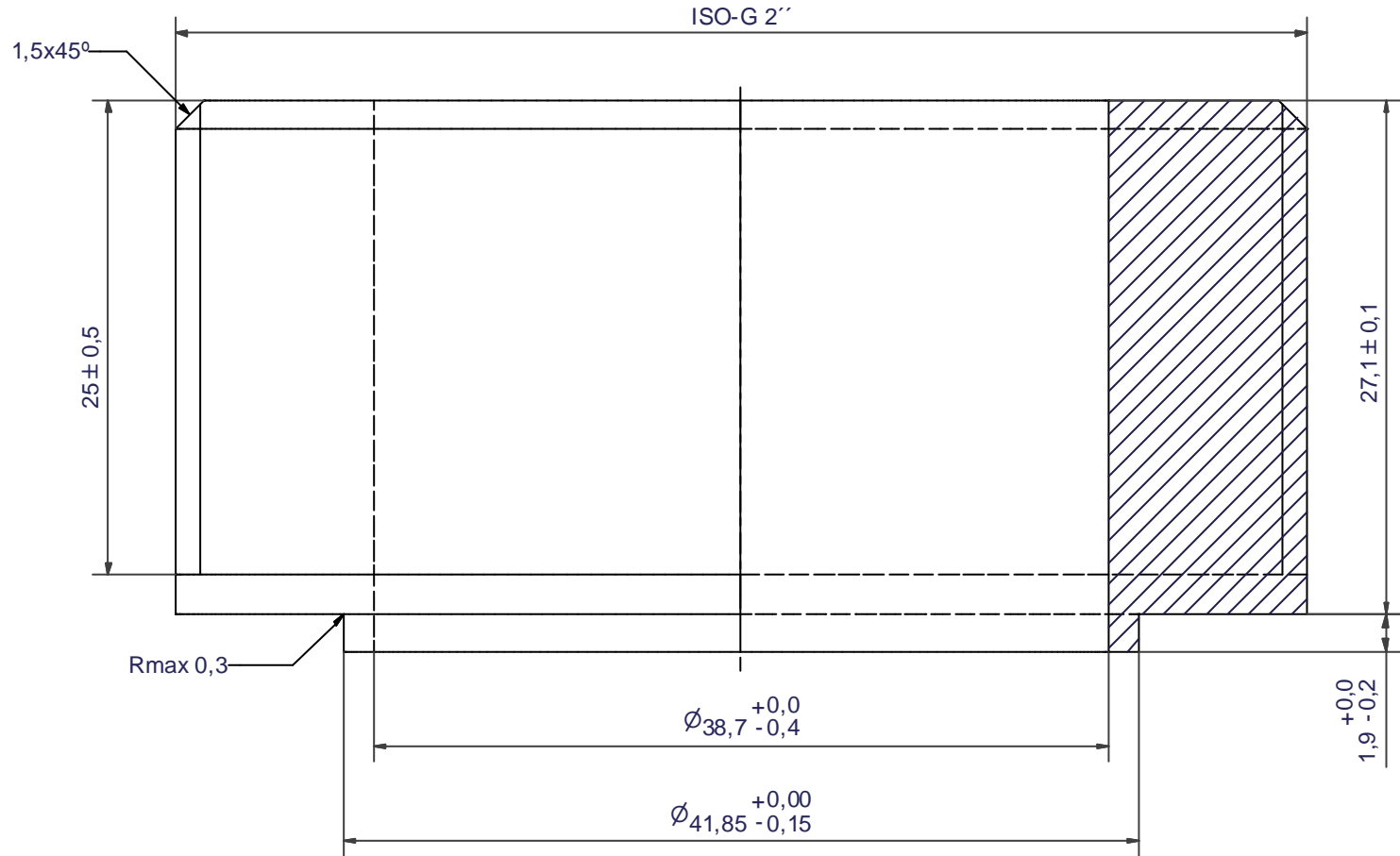


Rev No.	Alteration	Date	Checked	Approved
7	REDRAWN IN INVENTOR	2004/07/08	JBE	PDM



© Company Confidential, Property of SWEP International AB

Drawn SA	Checked TP	Approved VP	Created Date 199 1/02/11	General geometrical tolerancing ISO 2768 m	General surface finish R_a 3.2		Scale 4:1
			ISO-G 2				
			Article number -	Drawing number CD000049	Revision 7	Sheet 1 (1)	