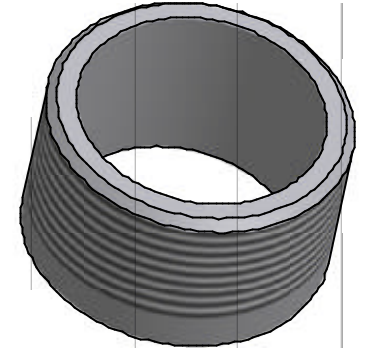
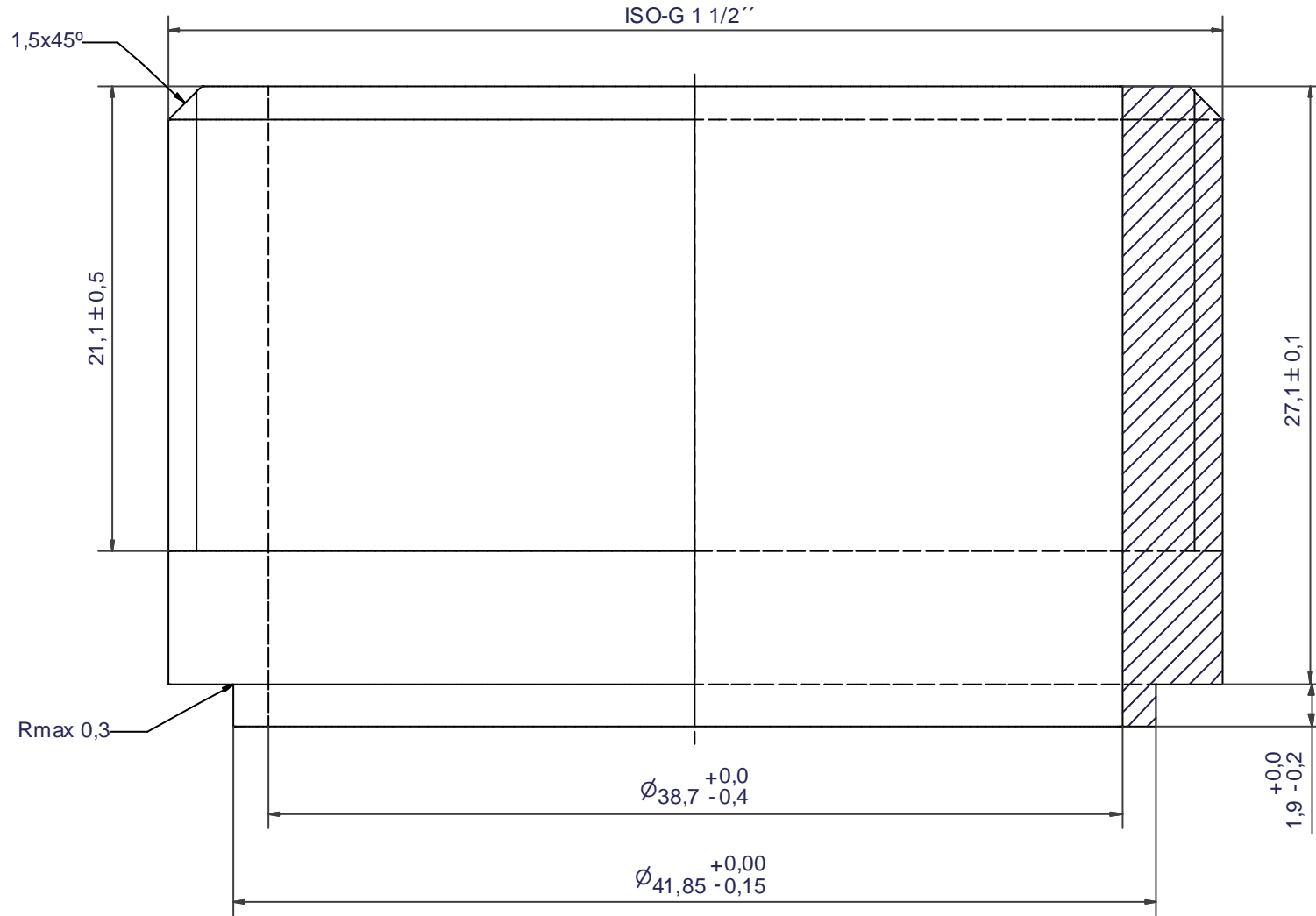


Rev No.	Alteration	Date	Checked	Approved
10	REDRAWN IN INVENTOR	2004/07/08	JBE	PDM



© Company Confidential, Property of SWEP International AB

Drawn HR	Checked TP	Approved VP	Created Date 1990/09/08	General geometrical tolerancing ISO 2768 m	General surface finish $R_a$ 3.2		Scale 5:1
 			Title <b>ISO-G 1 1/2</b>				
			Article number -	Drawing number CD000040	Revision 10	Sheet 1 (1)	