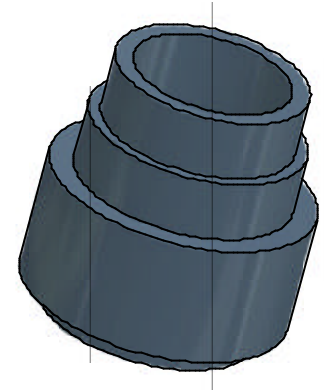
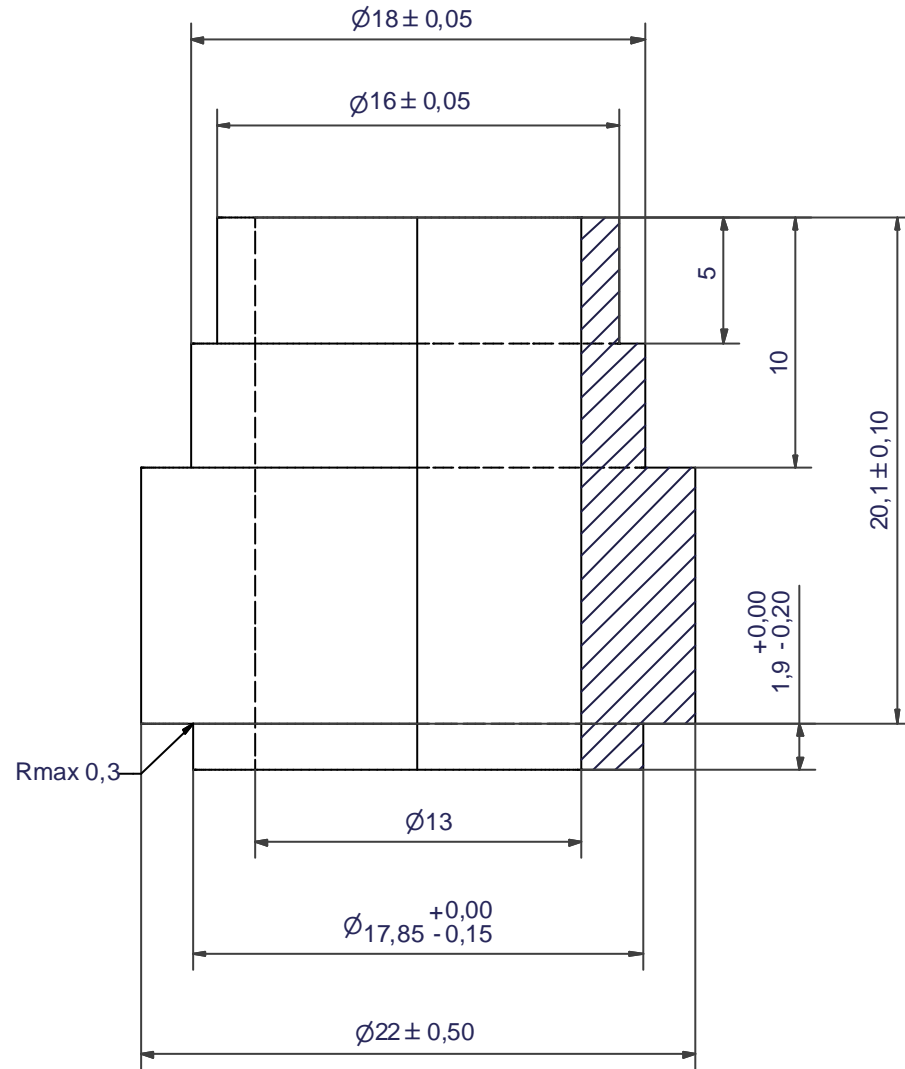



Rev No.	Alteration	Date	Checked	Approved
8	REDRAWN IN INVENTOR	2004/07/06	TN	PDM



© Company Confidential, Property of SWEP International AB

Drawn	Checked	Approved	Created Date	General geometrical tolerancing ISO 2768	General surface finish $R_a$	Scale
HR	TP	VP	1990/12/28	m	3.2	5:1
			<b>Title</b> <b>SOLDER <math>\varnothing 16/18/22</math></b>			
			<b>Article number</b> -	<b>Drawing number</b> <b>CD000099</b>	<b>Revision</b> <b>8</b>	<b>Sheet</b> <b>1 (1)</b>