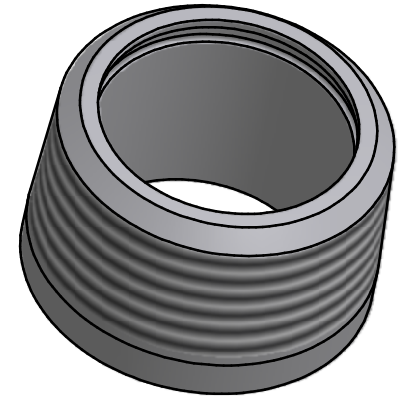
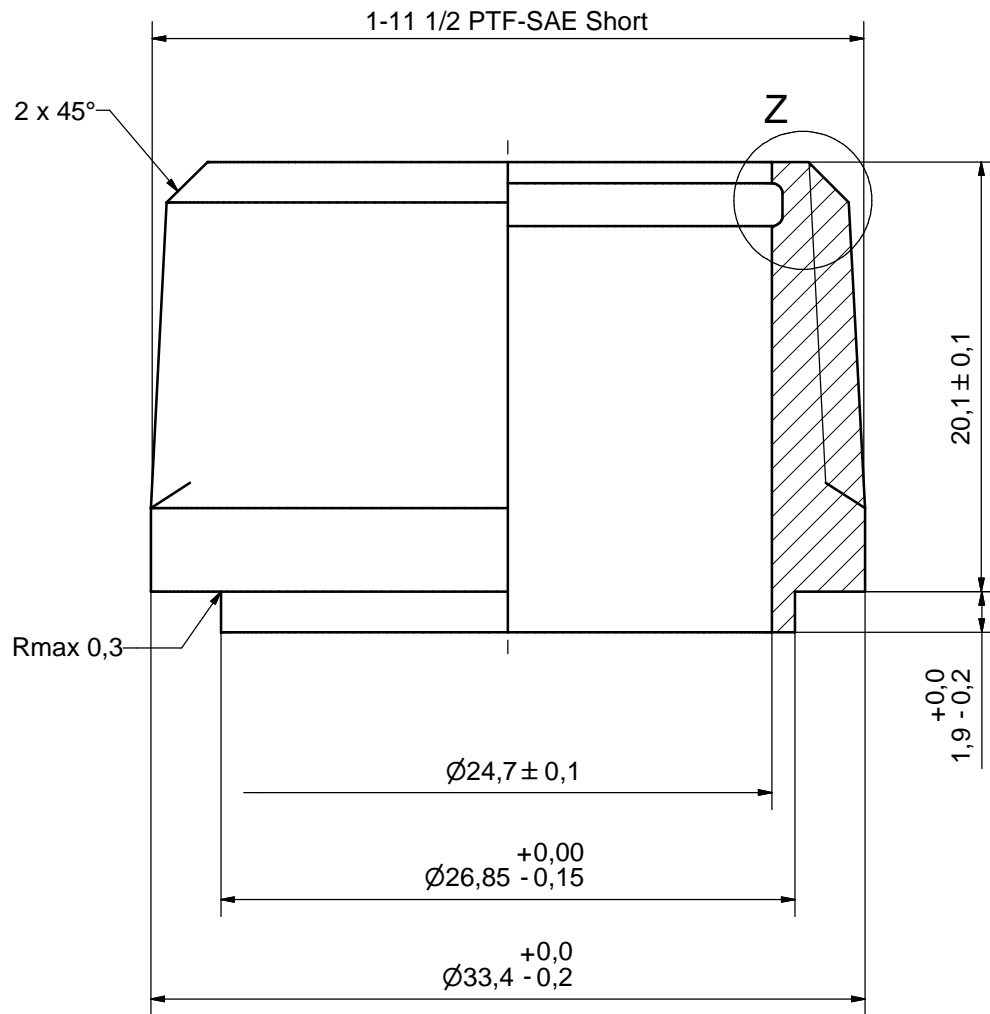
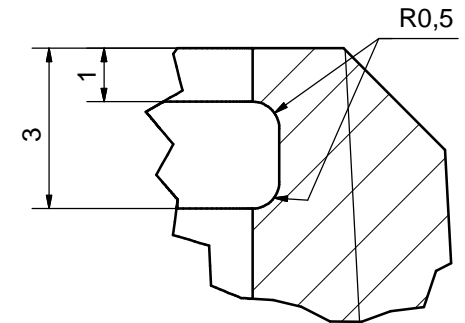


Rev No.	Alteration	Date	Checked	Approved
5	CHANGED TOLERANCE FOR INNER DIAMETER	2008/08/13	JT	PDM



Z (10 : 1)



ONLY FOR IDENTIFICATION

© Company Confidential, Property of SWEP International AB

ACCORDING TO MQS
MATERIAL

Drawn HR	Checked TOD	Approved BOS	Created Date 1994/12/12	General geometrical tolerancing ISO 2768 m	General surface finish R_a 3.2		Scale 4:1
			Title 1 PTF - SAE SHORT				
A DOVER COMPANY			Article number -	Drawing number CD000203	Revision 5	Sheet 1 (1)	