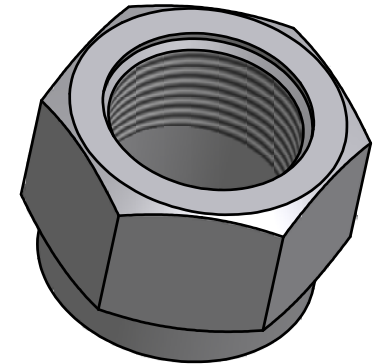
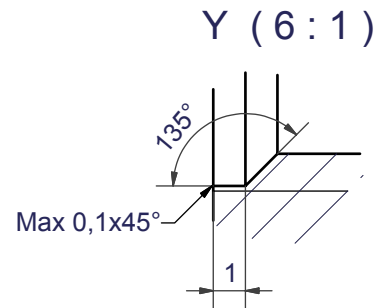
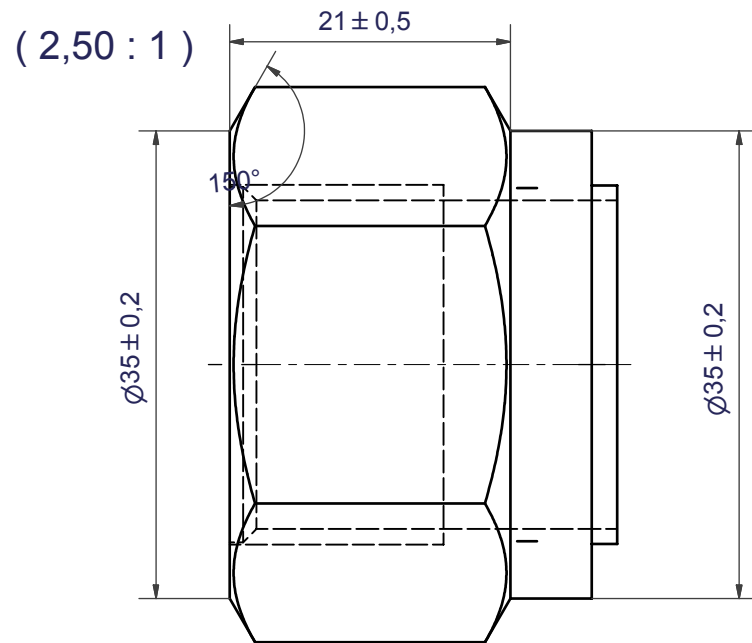
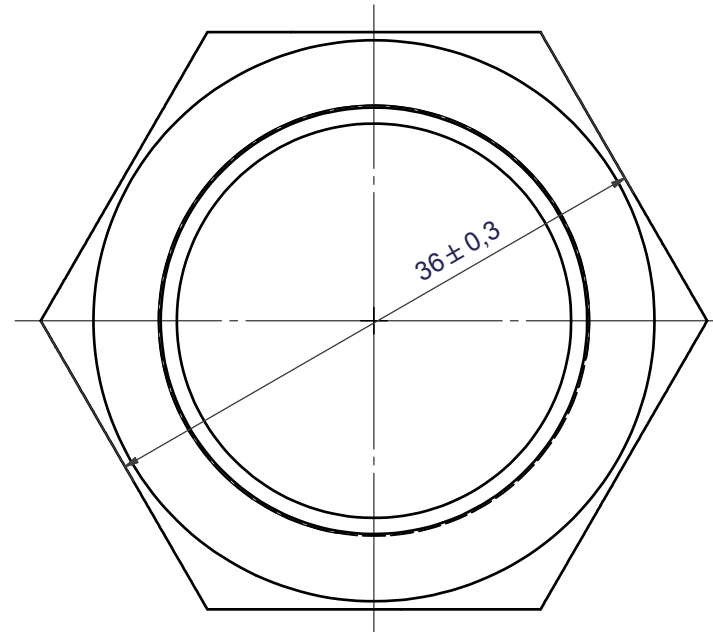
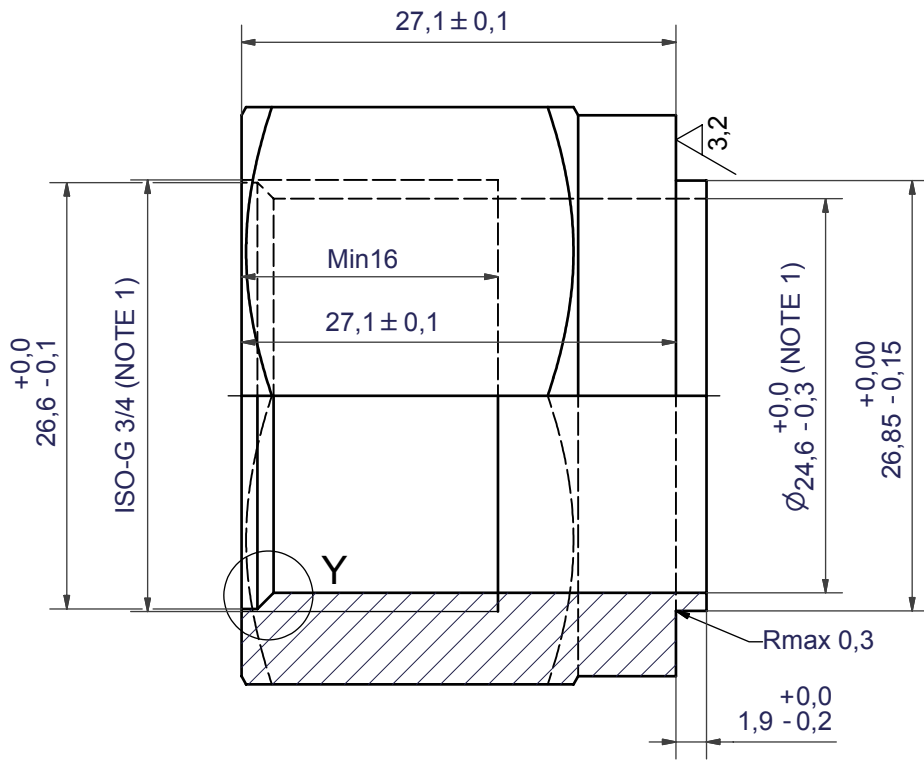



Rev No.	Alteration	Date	Checked	Approved
9	REDRAWN IN INVENTOR	2004/07/06	TN	PDM



NOTE1: THREADS MAX INNER DIAMETER SHOULD BE WITHIN SPECIFIED HOLE TOLERANCE

Drawn	Checked	Approved	Created Date	General geometrical tolerancing ISO 2768	General surface finish R_a	Scale
HR	TP	VP	1992/08/31	m	3.2	3:1
			INT HEX ISO-G 3/4			
Article number		Drawing number		Revision	Sheet	
-		CD000006		9	1 (1)	