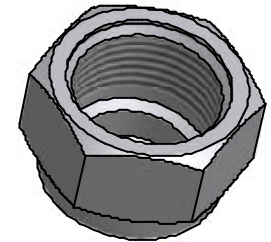
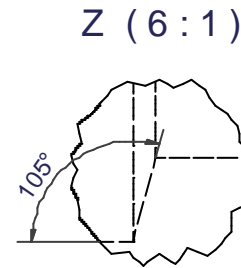
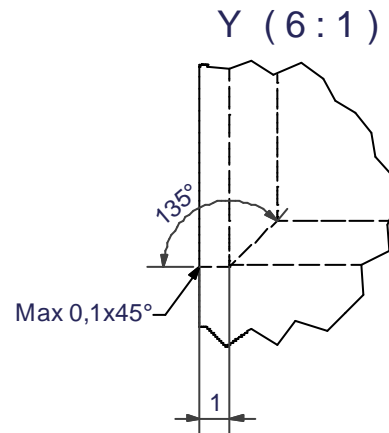
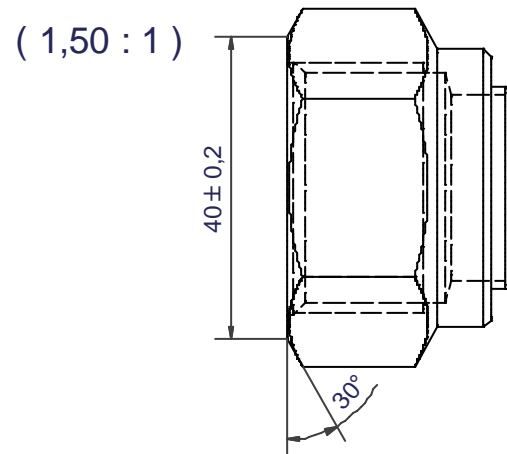
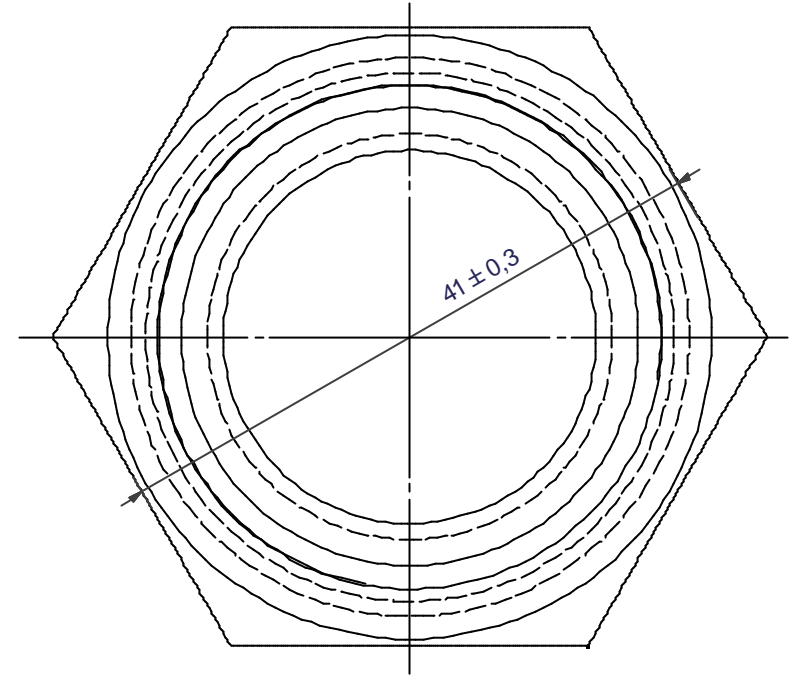
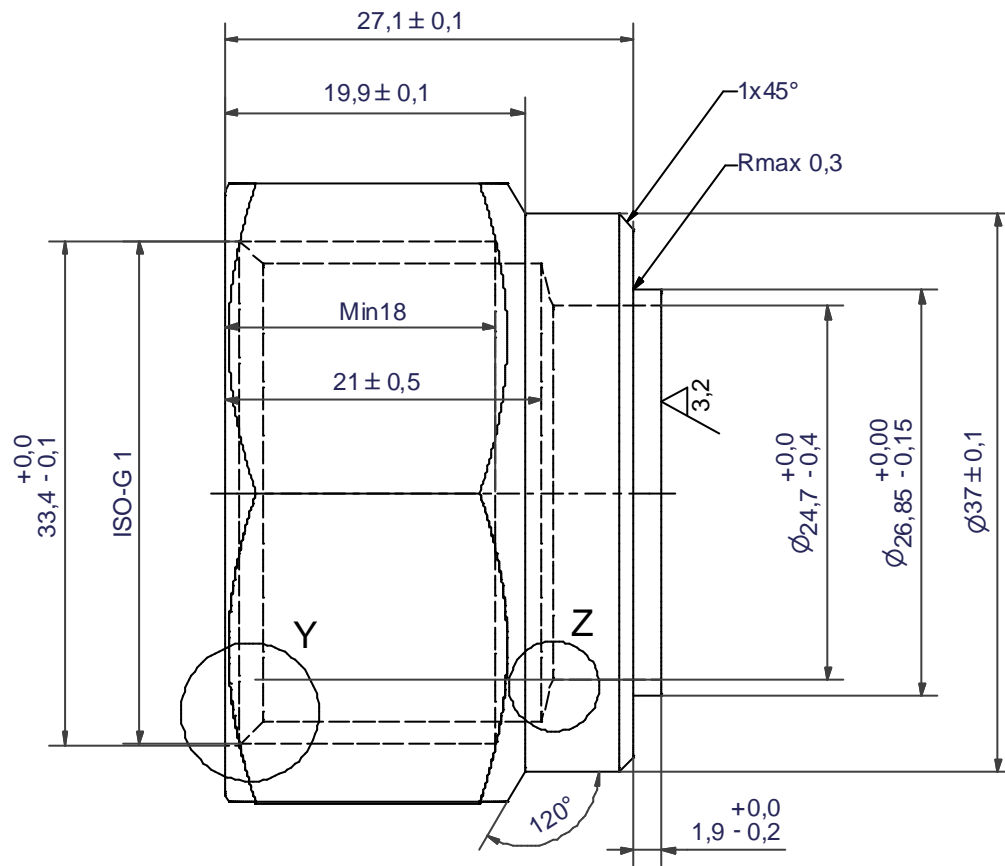


Rev No.	Alteration	Date	Checked	Approved
12	REDRAWN IN INVENTOR	2004/07/06	TN	PDM



© Company Confidential, Property of SWEPP International AB

Drawn HR	Checked TP	Approved VP	Created Date 199 1/11/06	General geometrical tolerancing ISO 2768 m	General surface finish R_a 3,2	Scale 7:2
			Title ISO-G 1 INT. HEX.			
			Article number -	Drawing number CD000001	Revision 12	Sheet 1 (1)