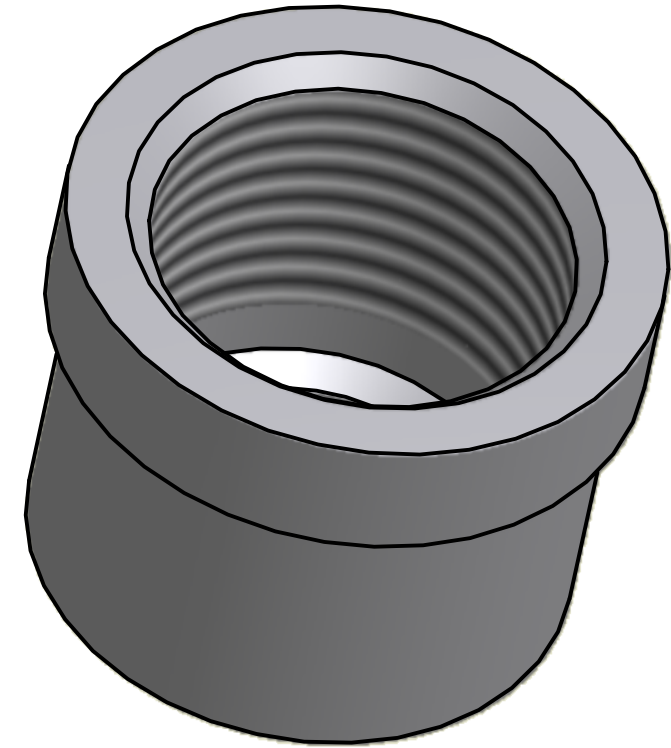
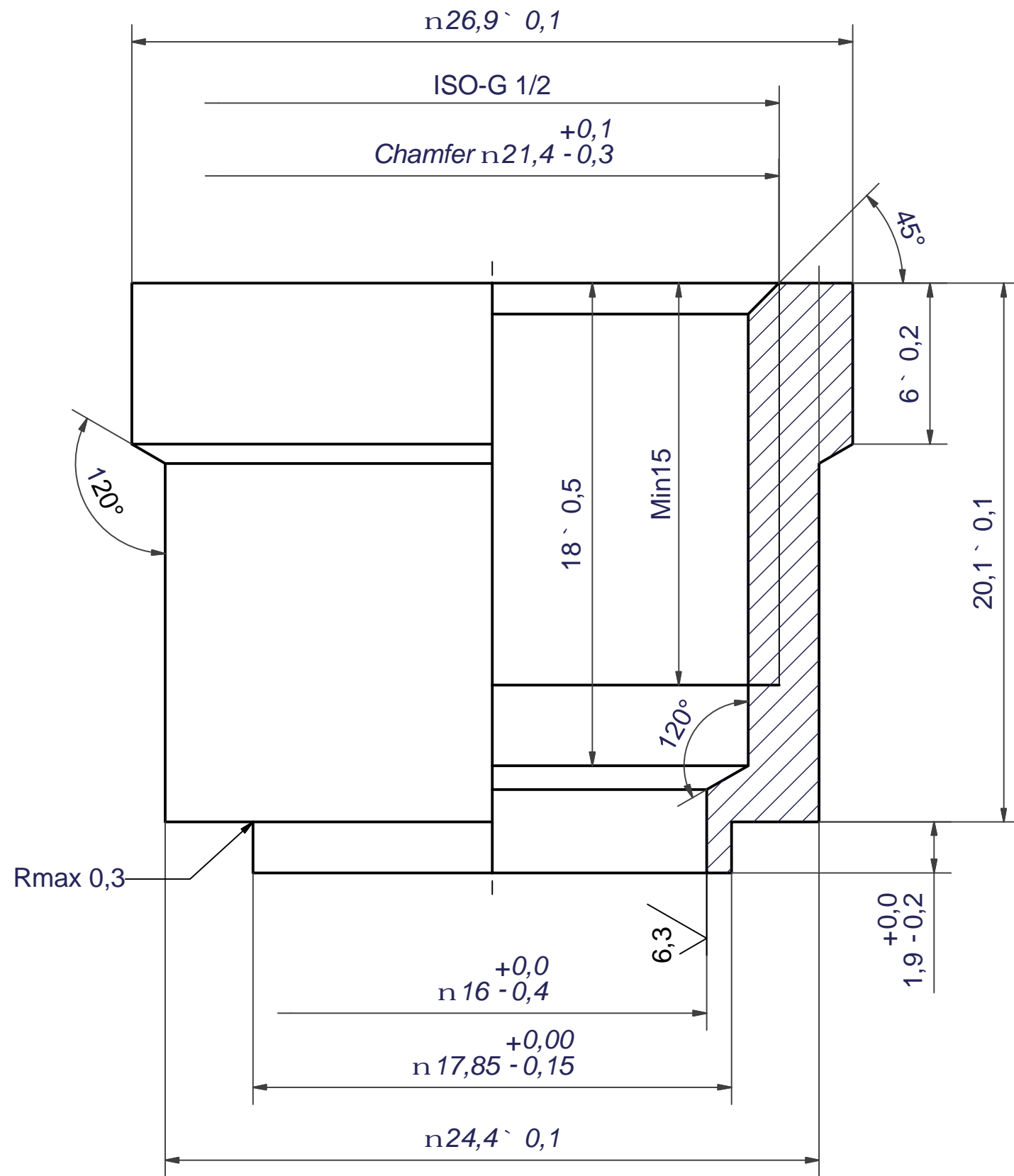



Rev No.	Alteration	Date	Checked	Approved
13	CHANGED MEASUREMENT OF CHAMFER AT THE TOP	2006/11/29	THE	PDM



© Company Confidential, Property of SWEP International AB

ACCORDING TO MQS
MATERIAL

Drawn HR	Checked TP	Approved VP	Created Date 1990/09/08	General geometrical tolerancing ISO 2768 m	General surface finish R_a : 3.2	Scale 5:1
			Title ISO-G 1/2" INT			
Article number_		Drawing number CD000037		Revision 13		Sheet 1 (1)
A DOVER COMPANY						