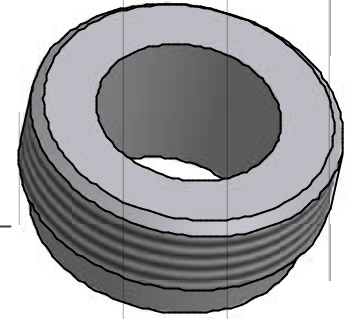
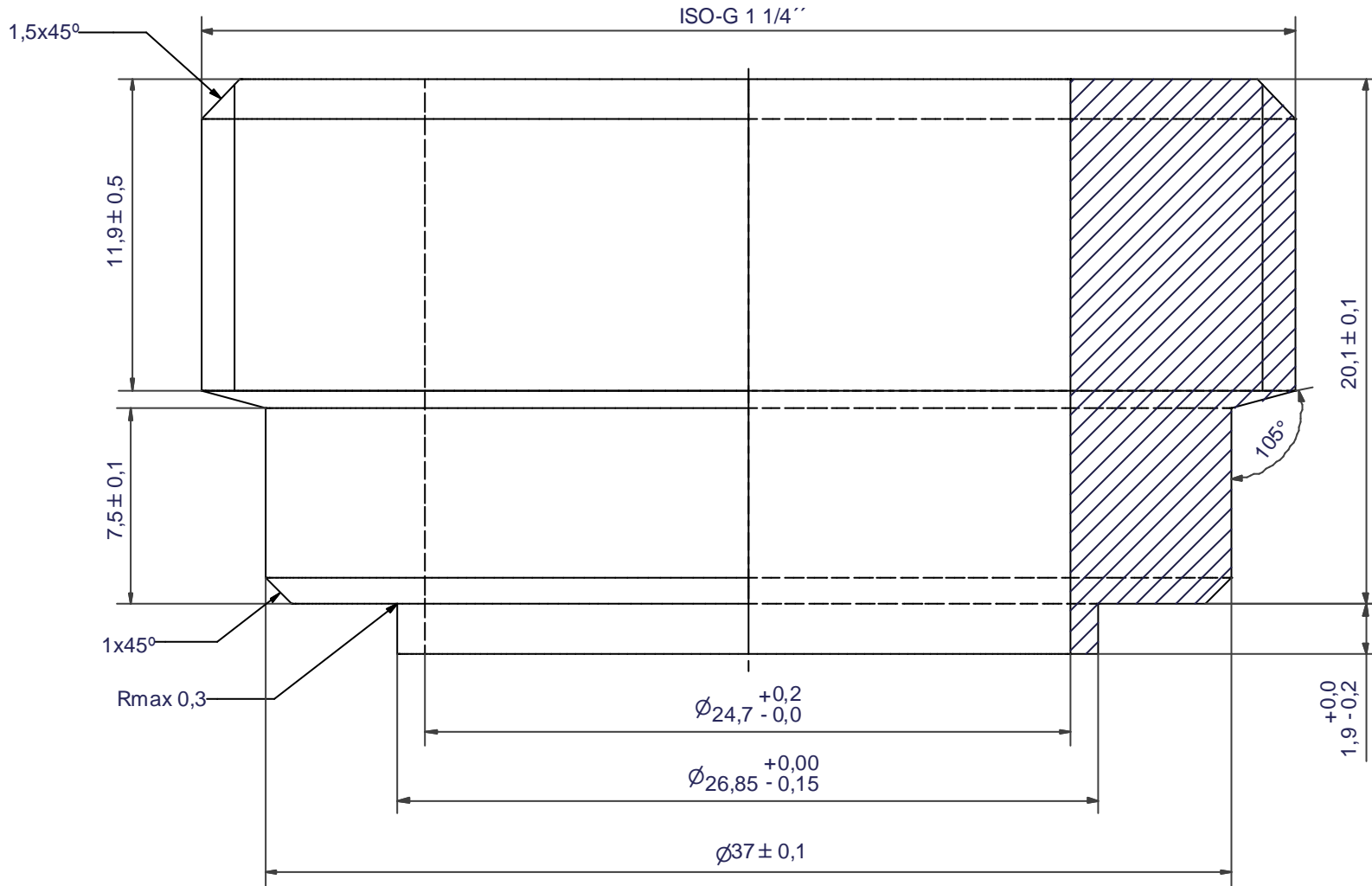


| Rev No. | Alteration | Date | Checked | Approved |
|---------|---------------------|------------|---------|----------|
| 11 | REDRAWN IN INVENTOR | 2004/07/08 | JBE | PDM |



© Company Confidential, Property of SWEF International AB

| | | | | | | | |
|------------|---------------|----------------|-----------------------------|--|---|----------------|--------------|
| Draw HR | Checked TP | Approved VP | Created Date 1990/09/08 | General geometrical tolerancing ISO 2768 m | General surface finish R _a 3.2 | | Scale 6:1 |
| | | | Title ISO-G 1 1/4 | | | | |
| | | | Article number - | Drawing number CD000045 | Revision 11 | Sheet 1 (1) | |