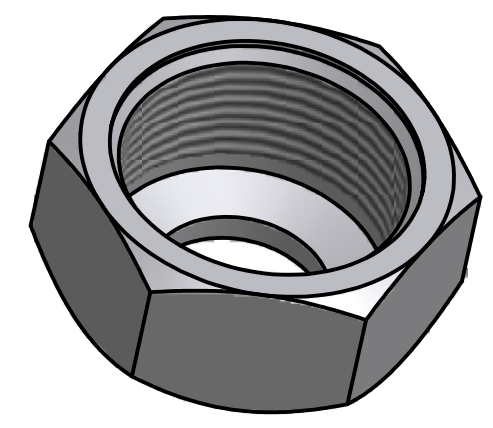
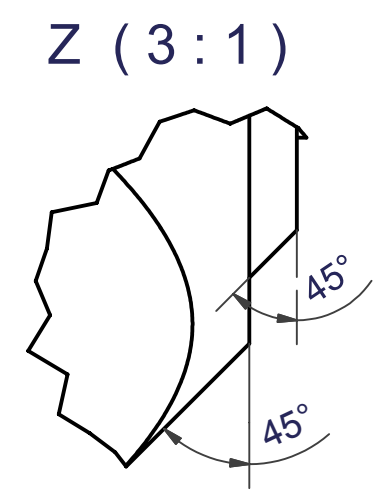
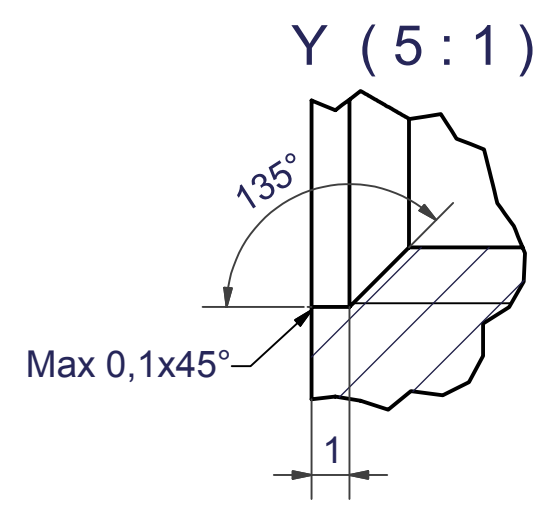
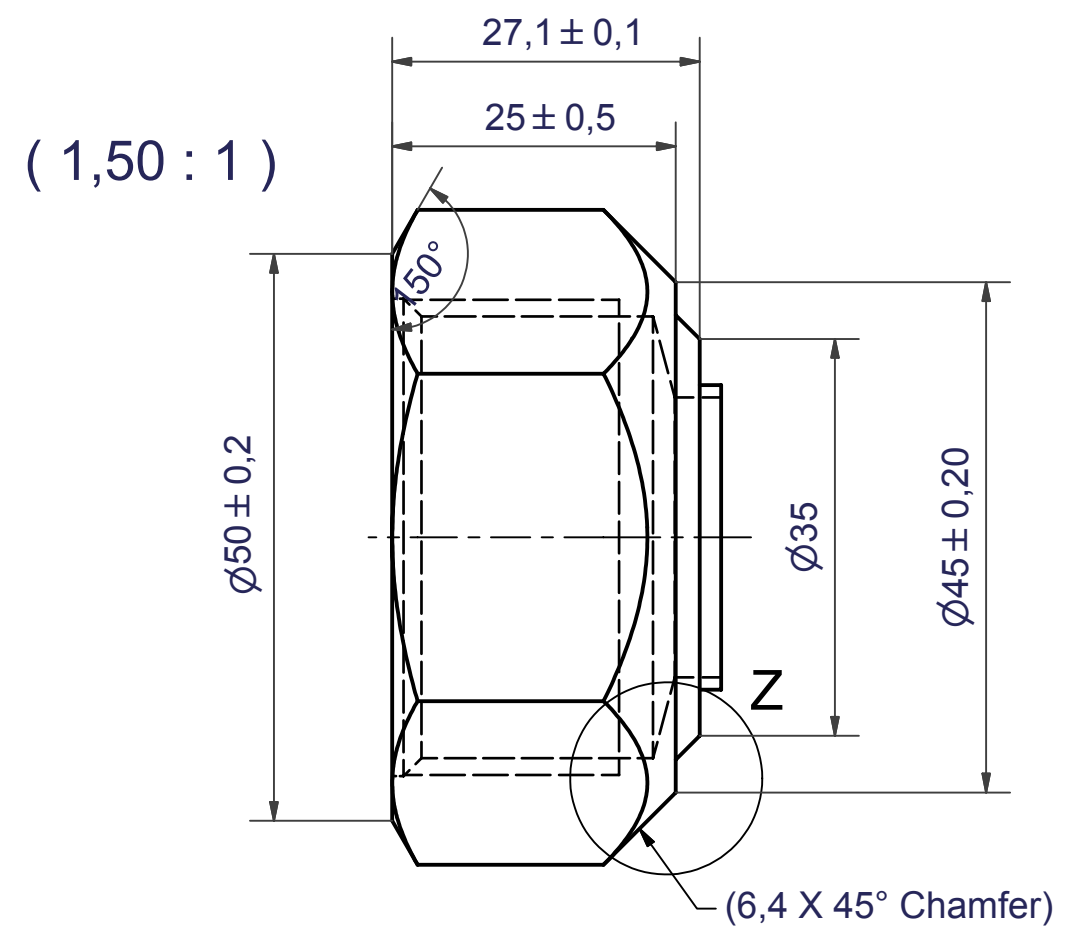
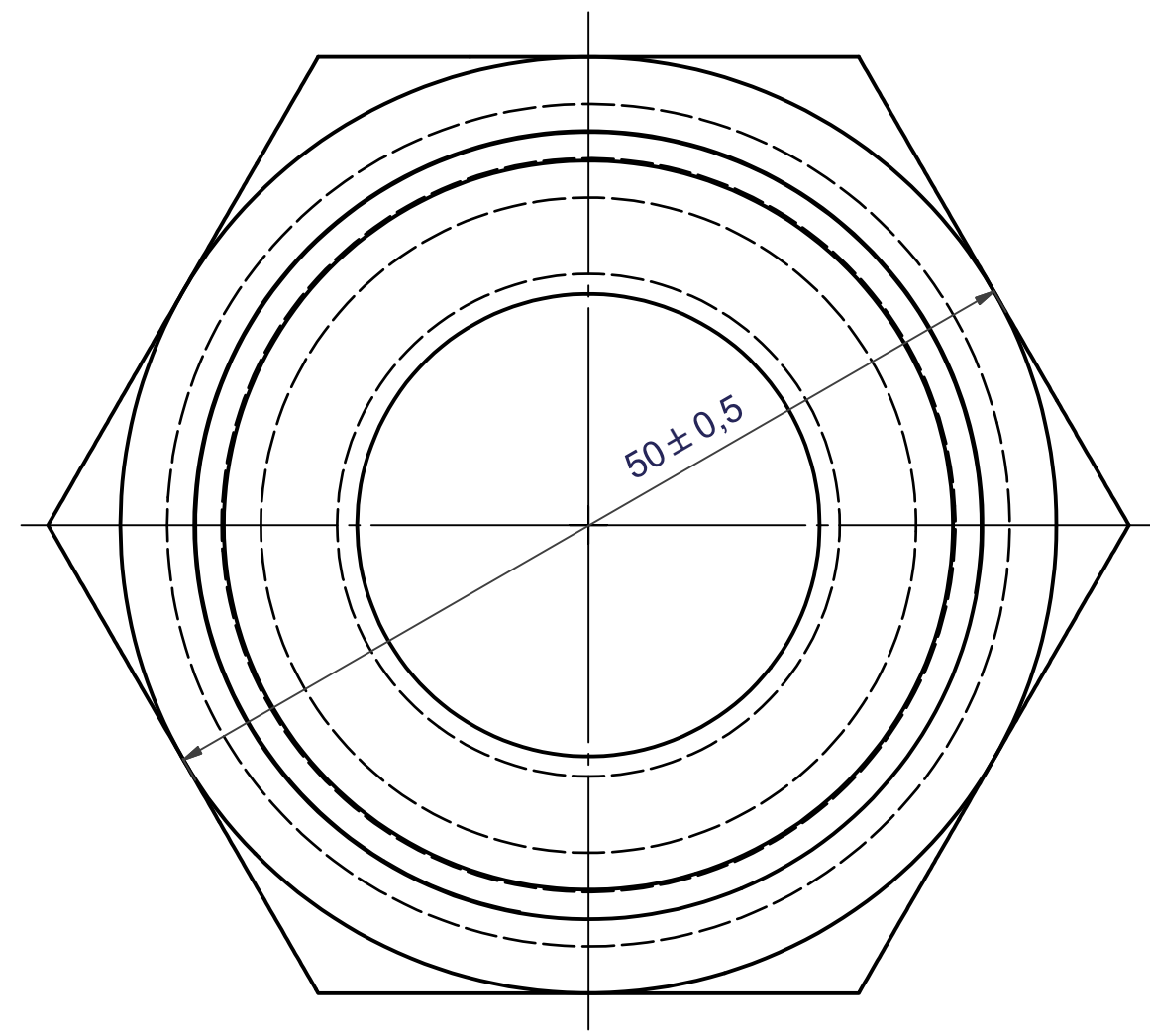
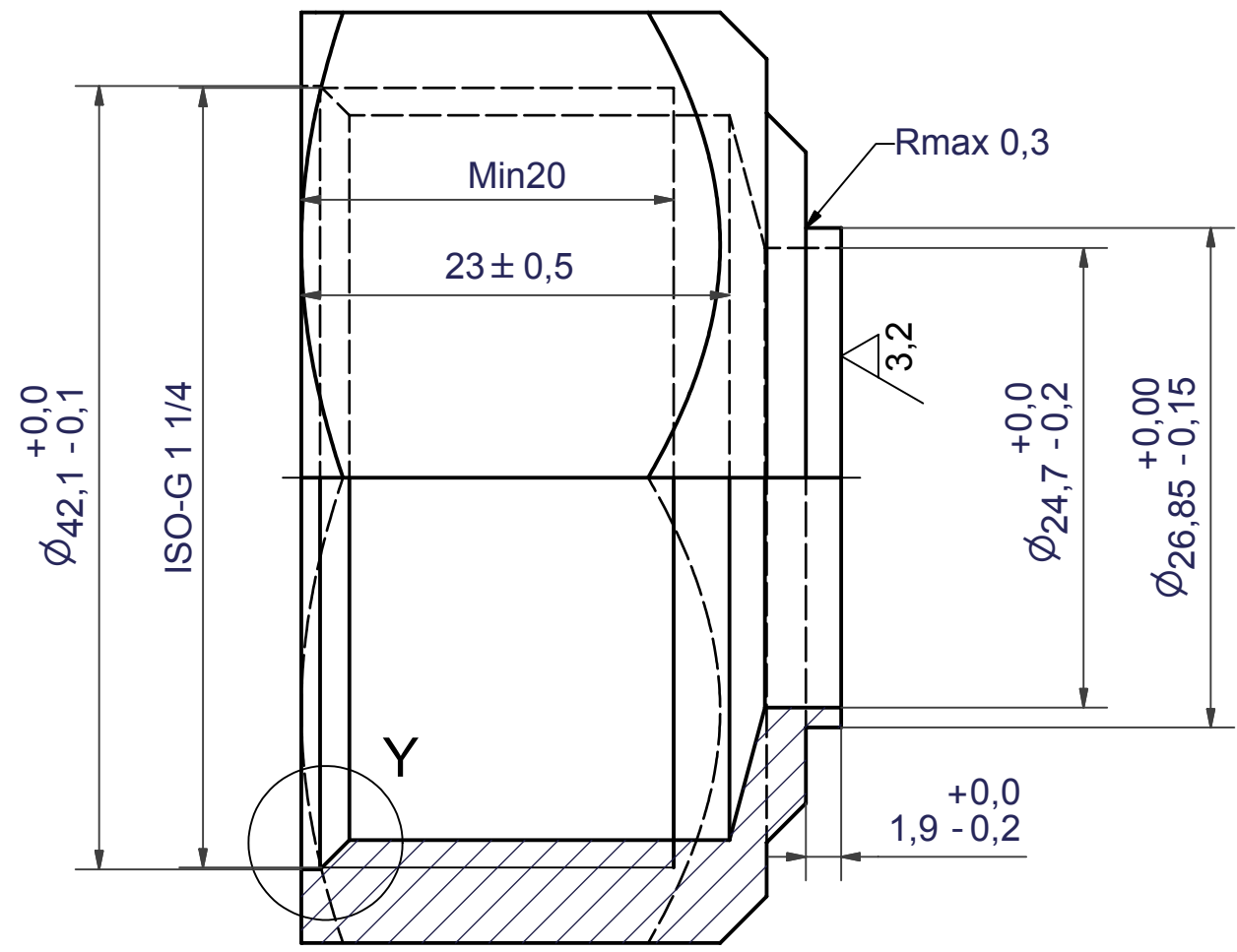



Rev No.	Alteration	Date	Checked	Approved
6	REDRAWN IN INVENTOR	2004/07/06	TN	PDM



© Company Confidential, Property of SWEP International AB

Drawn HR	Checked TP	Approved VP	Created Date 1992/08/31	General geometrical tolerancing ISO 2768 m	General surface finish R_a 3.2	Scale 5:2
			ISO-G 1 1/4 INT HEX			
Article number -		Drawing number CD000002		Revision 6		Sheet 1 (1)