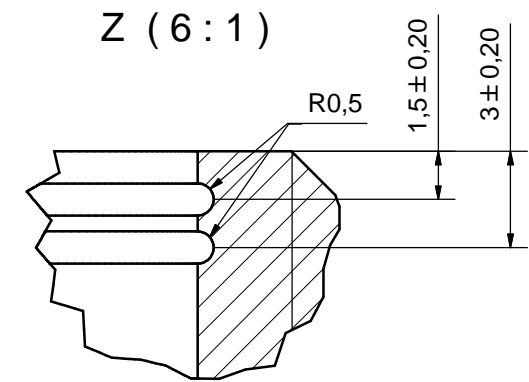
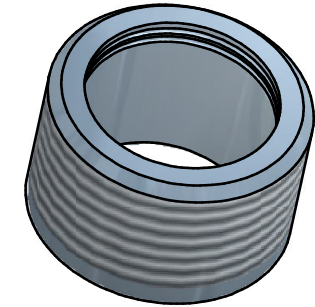
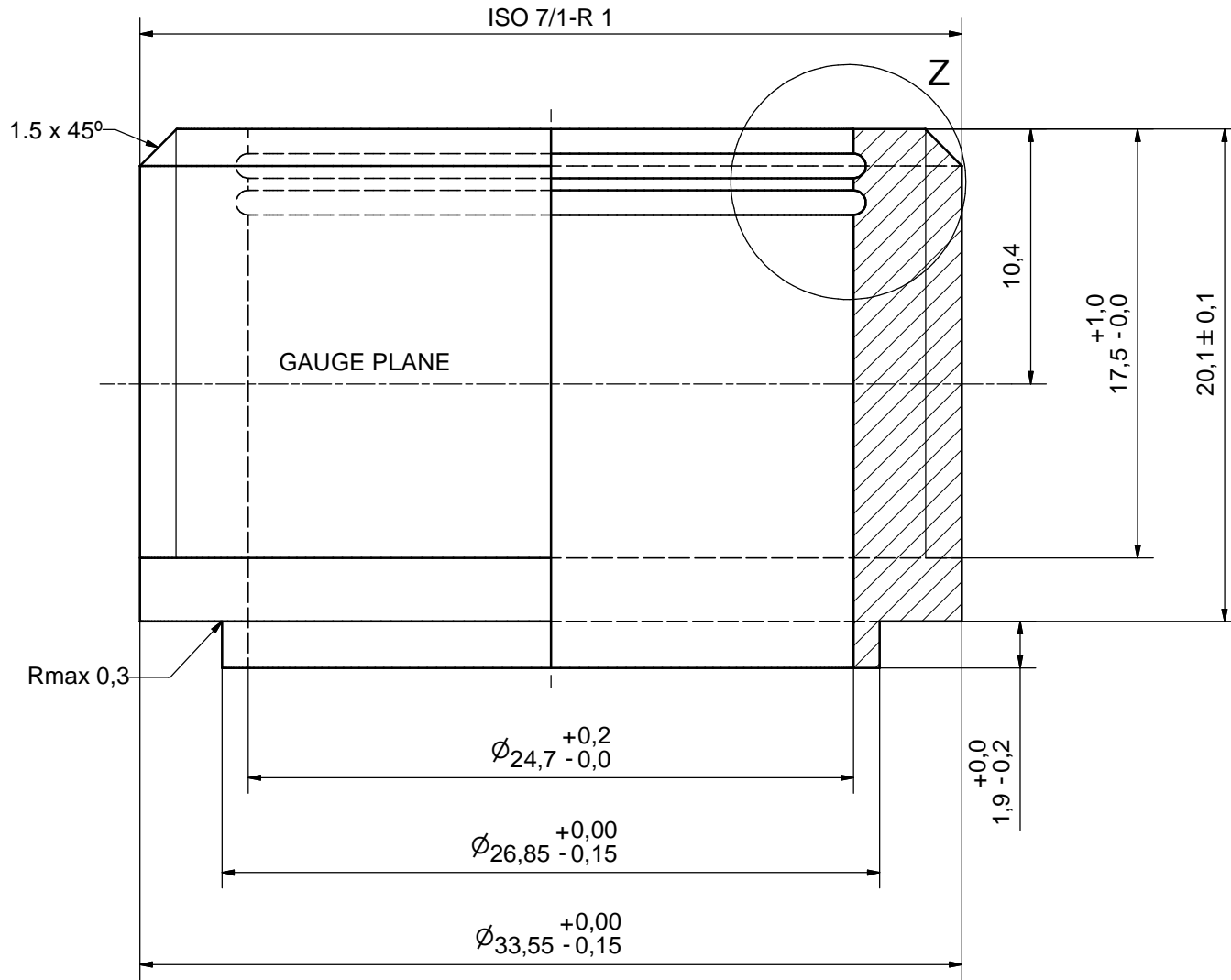


Rev No.	Alteration	Date	Checked	Approved
5	REDRAWN IN INVENTOR	2004/07/06	TN	PDM



© Company Confidential, Property of SWEP International AB

Drawn EG	Checked HR	Approved BOS	Created Date 1994/03/15	General geometrical tolerancing ISO 2768 m	General surface finish $R_a$ 3.2		Scale 5:1
		Title <b>ISO 7/1-R 1</b>					
		Article number -	Drawing number CD000150	Revision 5	Sheet 1 (1)		
A DOVER COMPANY							