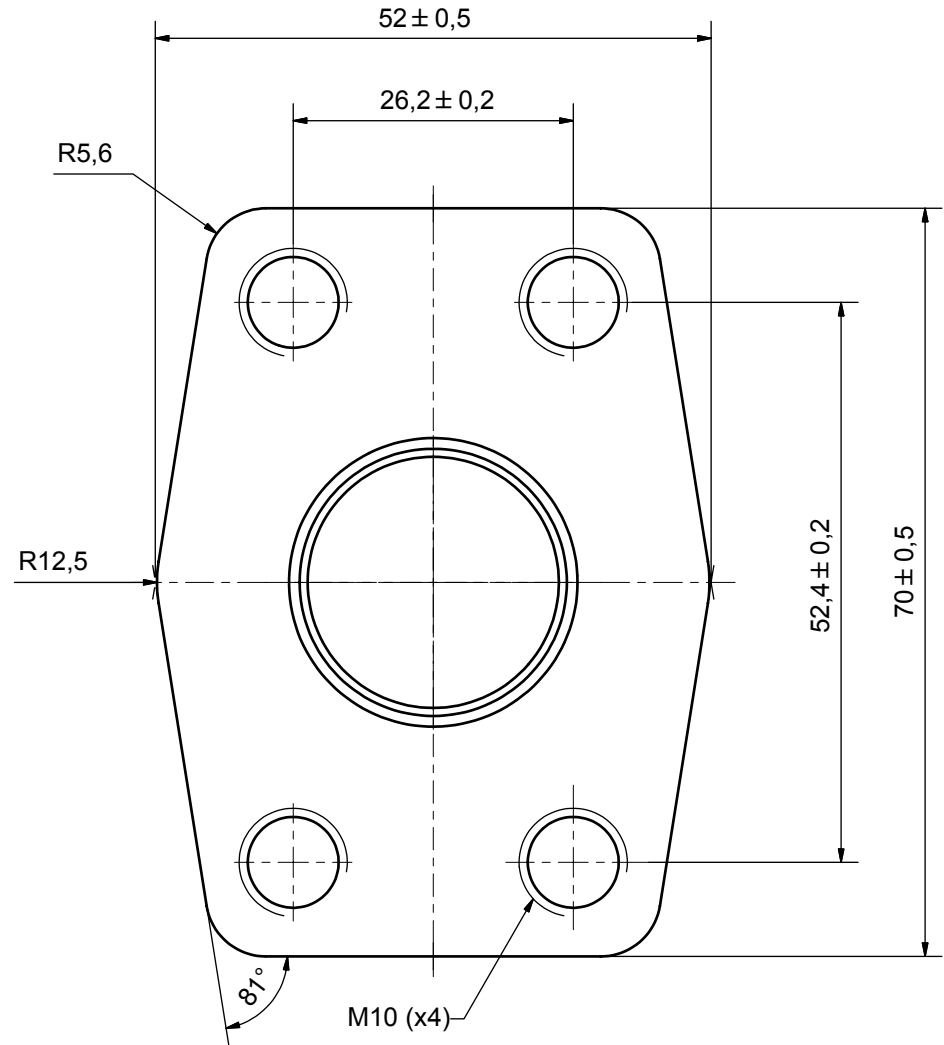
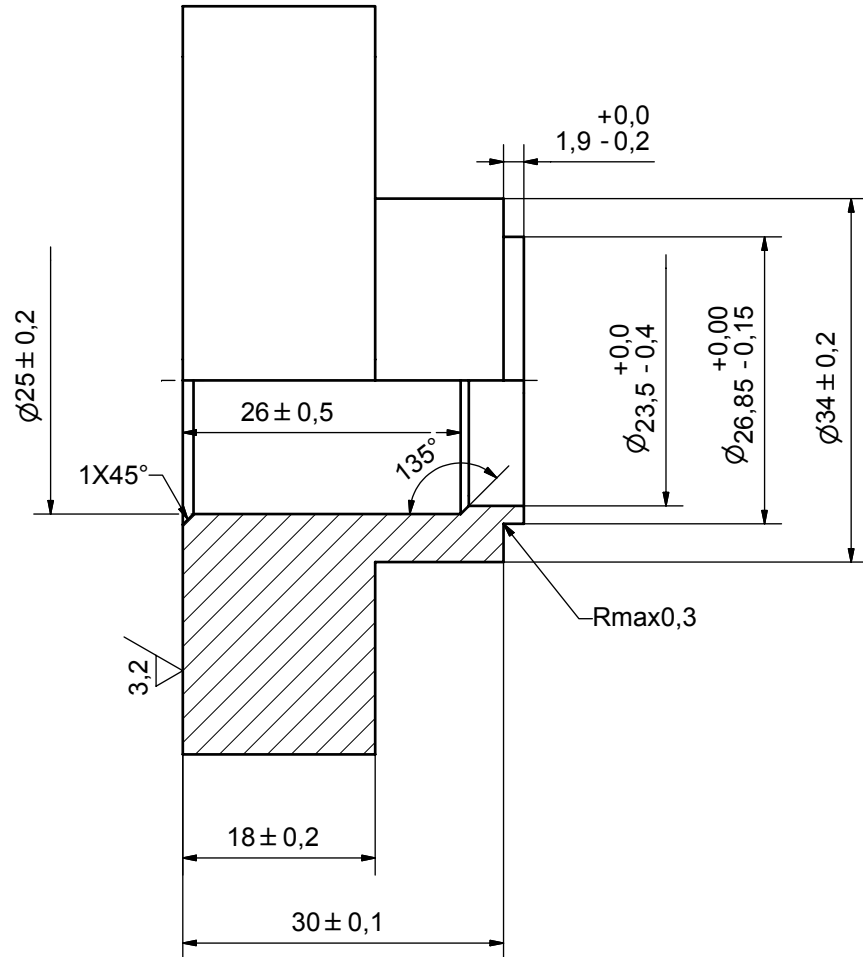
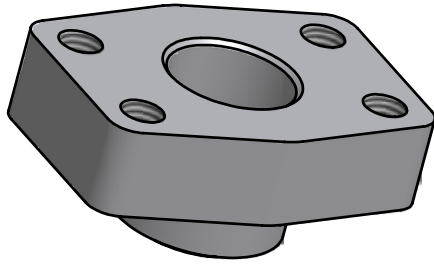


| Rev No. | Alteration | Date | Checked | Approved |
|---------|----------------------------------|------------|---------|----------|
| 5 | ADDED CENTER LINES IN BASIC VIEW | 2005/11/29 | THE | PDM |



© Company Confidential, Property of SWEP International AB

| | | | | | | |
|-----------------------|----------------|-----------------|----------------------------|---|-------------------------------------|----------------|
| Drawn HR | Checked TOD | Approved BOS | Created Date 1995/10/26 | General geometrical tolerancing ISO 2768 m | General surface finish R_a 3.2 | Scale 2:1 |
| Title SAE-1 | | | Article number - | Drawing number CD000239 | Revision 5 | Sheet 1 (1) |

