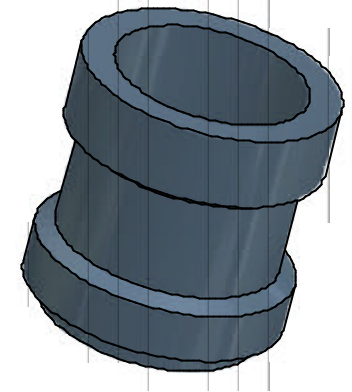
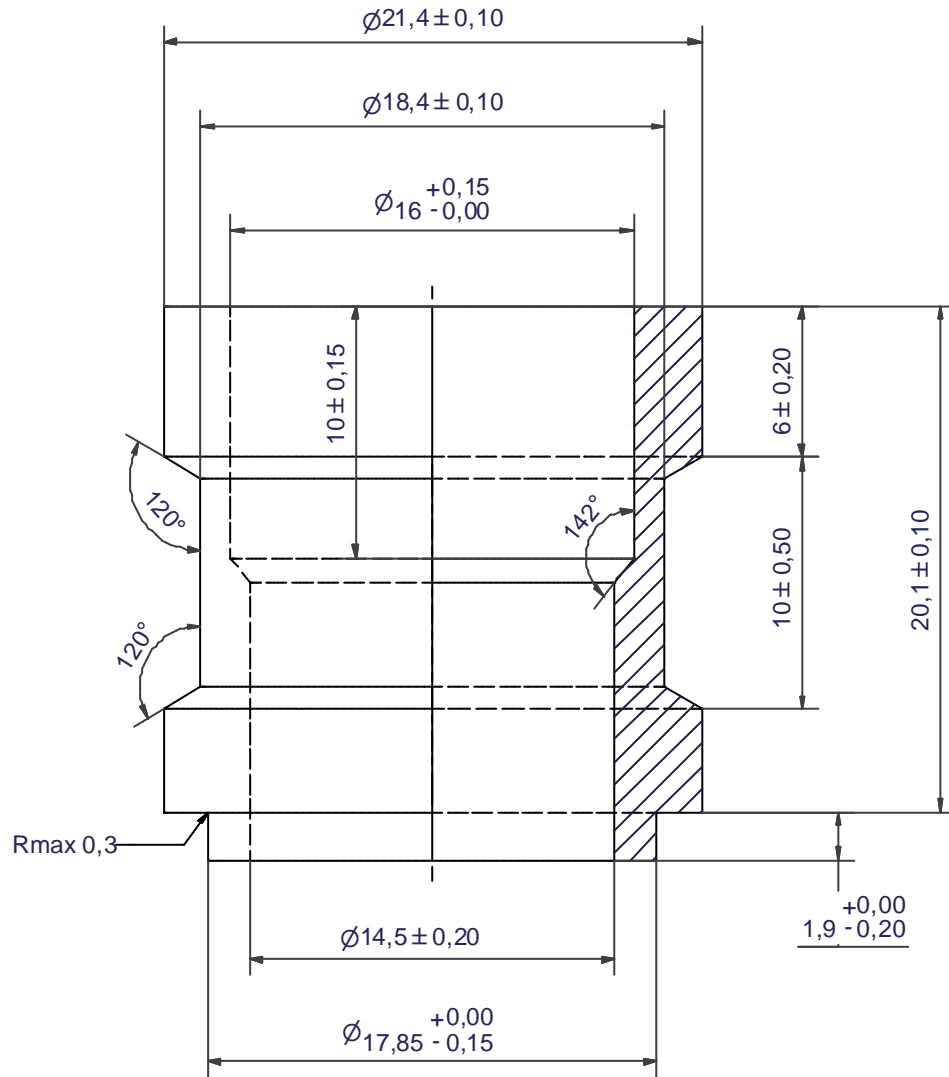



Rev No.	Alteration	Date	Checked	Approved
8	REDRAWN IN INVENTOR	2004/07/07	TN	PDM



© Company Confidential, Property of SWEP International AB

Drawn	Checked	Approved	Created Date	General geometrical tolerancing ISO 2768	General surface finish R_a	Scale
HR	TP	VP	1990/09/08	m	3.2	5:1
			Title SOLDER $\varnothing 16$			
Article number -		Drawing number CD000096		Revision 8		Sheet 1 (1)
