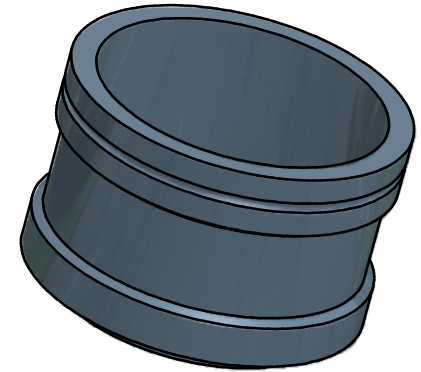
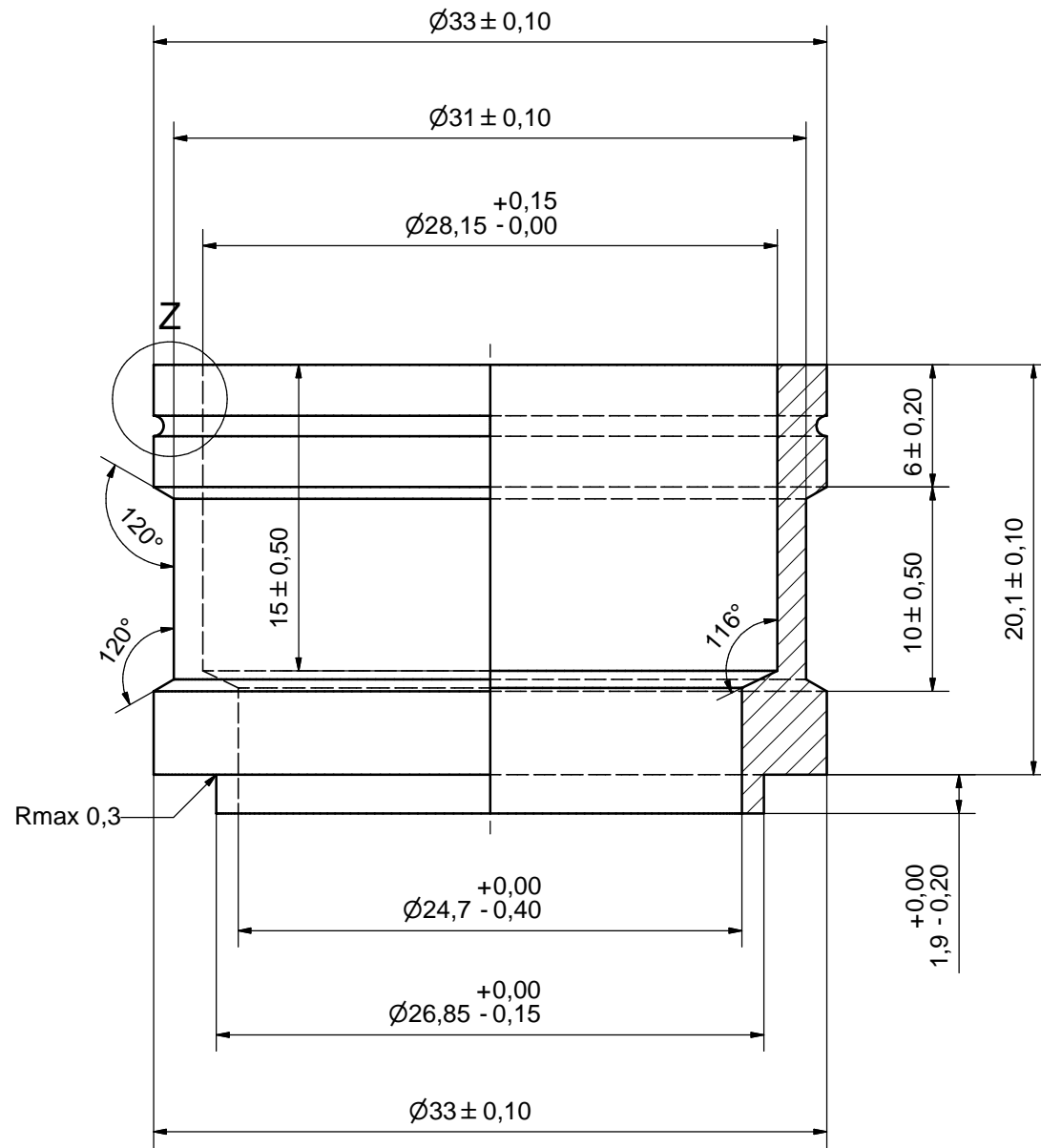
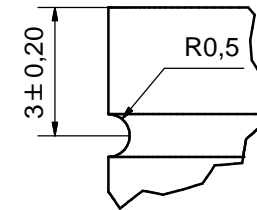


Rev No.	Alteration	Date	Checked	Approved
3	ADDED INFO FOR ID-TRACK	2008/09/11	JT	PDM



Z (8 : 1)



ONLY FOR IDENTIFICATION.

NOTE: THE DIMENSION OF THE TRACK WILL BE EITHER 0,5 OR 0,8 MM DEPENDING ON MANUFACTURING PROCESS.

Drawn JA	Checked EG	Approved BOS	Created Date 1997-05-14	General geometrical tolerancing ISO 2768 m	General surface finish R_a 3.2	Scale 4:1
			SOLDER $\varnothing 28,15$			
Article number -		Drawing number CD000336		Revision 3	Sheet 1 (1)	