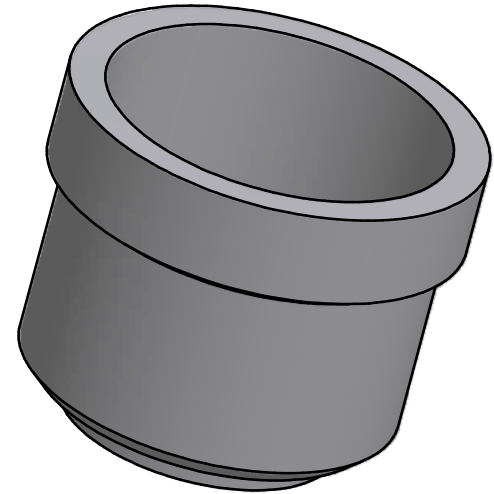
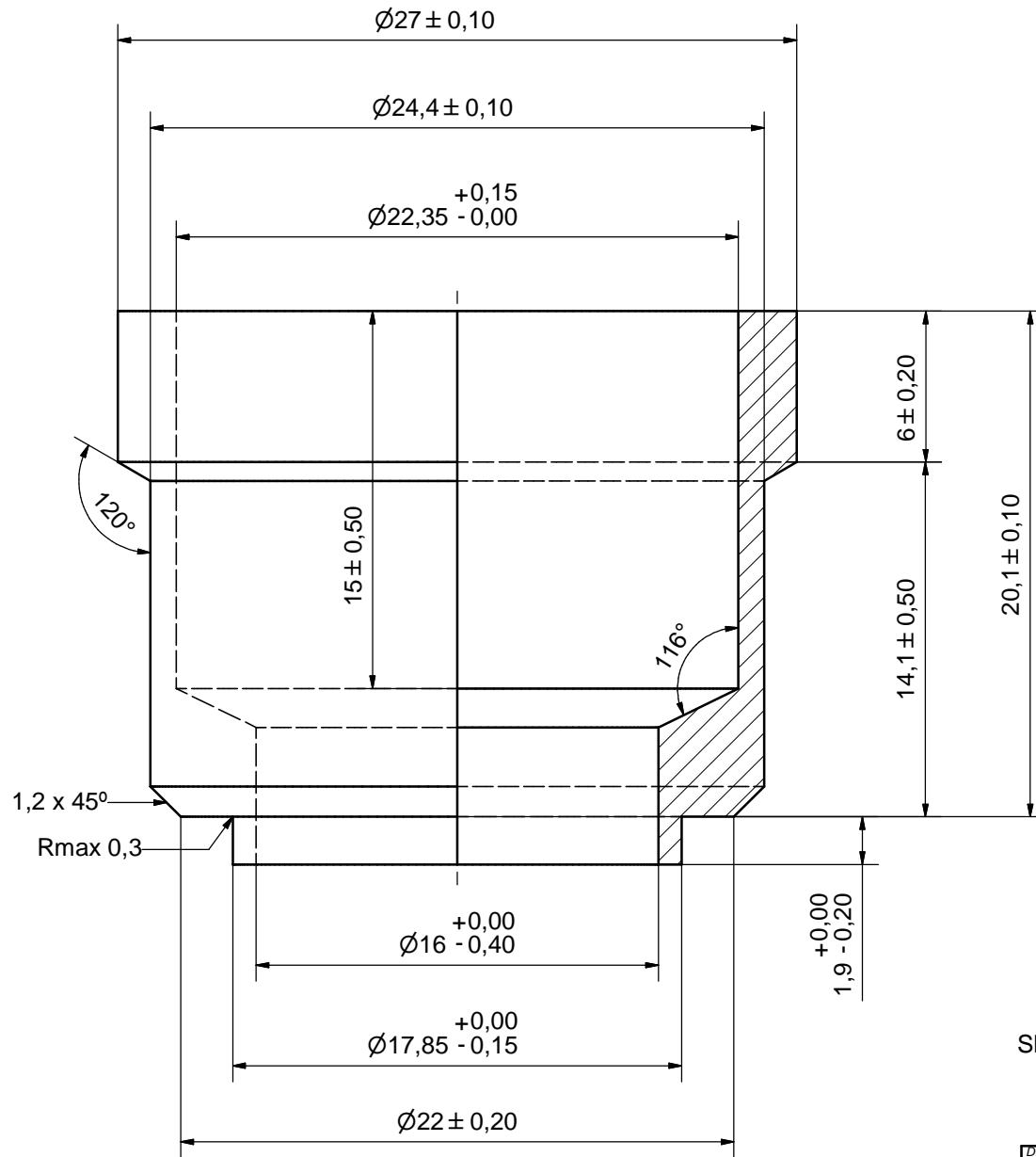



Rev No.	Alteration	Date	Checked	Approved
12	DEBURRING INFO ADDED	2009/03/03	TL	PDM



SHARP EDGES DEBURRED MAX 0,4

ACCORDING TO MQS  
MATERIAL

Drawn HR	Checked EG	Approved VP	Created Date 1990-09-08	General geometrical tolerancing ISO 2768 m	General surface finish $R_a$ 3.2	Scale -
			Title <b>SOLDER 22U</b>			
Article number -		Drawing number CD000094		Revision 12	Sheet 1 (1)	