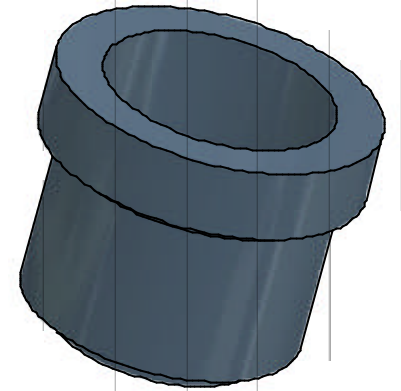
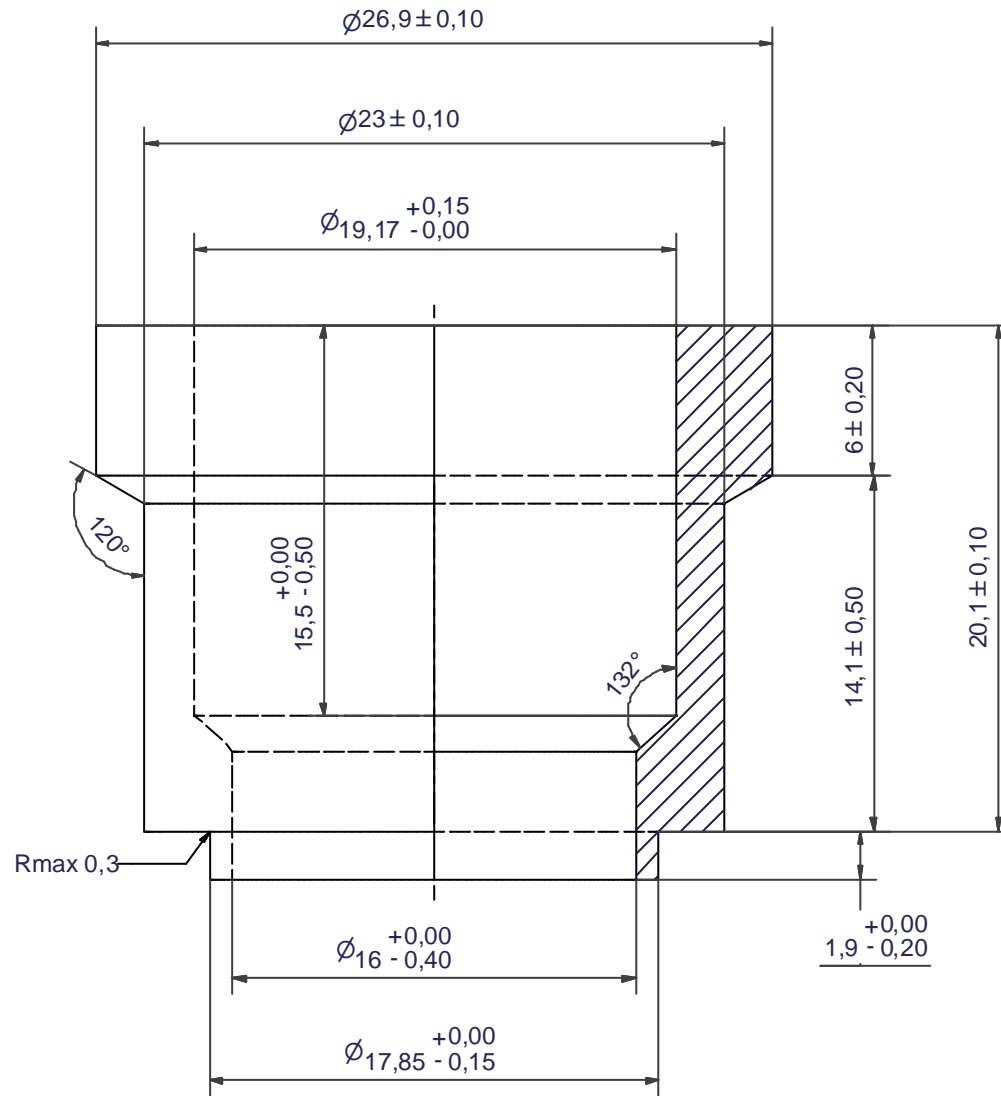


Rev No.	Alteration	Date	Checked	Approved
9	REDRAWN IN INVENTOR	2004/07/06	TN	PDM



© Company Confidential, Property of SWEP International AB

Drawn HR	Checked TP	Approved VP	Created Date 1990/09/08	General geometrical tolerancing ISO 2768 m	General surface finish R_a 3.2		Scale 5:1
			Title SOLDER ϕ 19,2				
			Article number -	Drawing number CD000102	Revision 9	Sheet 1 (1)	