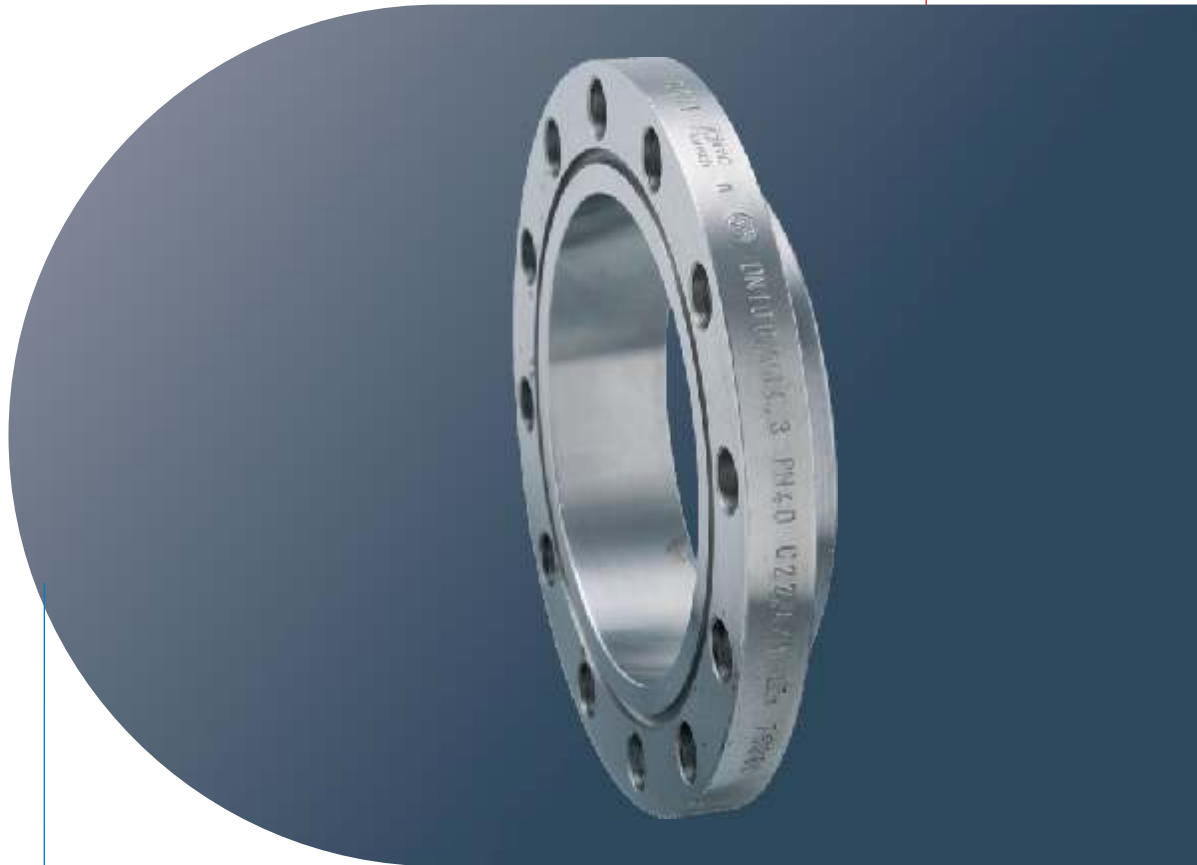
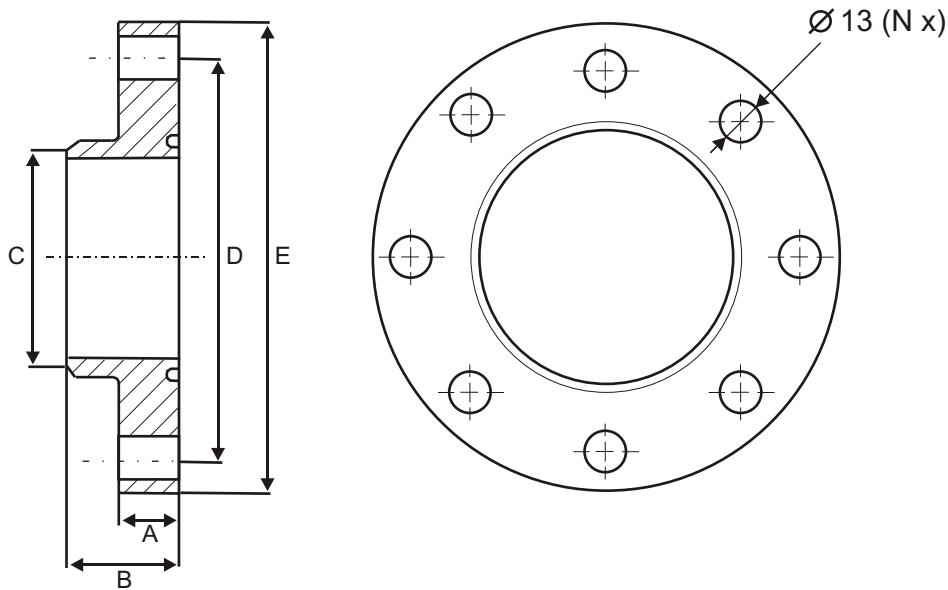


COMPAC COUNTER FLANGES



SWEP offers a wide range of Compact Brazed Heat exchangers (CBEs) for many demanding applications worldwide. SWEP's CBEs are complemented with a comprehensive range of accessories including stud bolts, support legs, counter connections, insulation and much more. This product sheet describes our Compac counter flanges.

COMPAC COUNTER FLANGES



STANDARD CONNECTIONS

SWEP counter flanges are used to connect your pipe to our DN compac flanges on the CBE unit.

DIMENSIONS

Size	A	B	C	D	E
DN20C	10	20	26,9	53	71
DN25C	10	20	33,7	63	84
DN50C	12	24	60,3	91	112
DN65C	12	24	76,1	106	125
DN80C	15	30	88,9	118	141
DN100C	15	30	114,3	144	165

TECHNICAL DATA

Max working temperature	225°C
Min working temperature (cs / ss)	0°C / -40°C
Max working pressure	40 bar

MATERIAL OPTIONS

Stainless steel:	1.4404 alt. 1.4571
Carbon steel:	C22.8

For additional information please contact your local SWEP representative. SWEP reserves the right to make changes without prior notice

SWEP ACCESSORIES

Compac counter flanges have been developed to fit our CBE range perfectly, and are available for most DN flange sizes used for SWEP CBEs.



SWEP accessories meet the same high standards as the company's CBEs. They are produced according to SWEP's specification by rigorously selected suppliers. The high-quality materials are carefully chosen for compatibility, while the accurate dimensions save you time and money on installation. With SWEP accessories you have the assurance that everything will fit and perform the way the design engineers intended.

For more information, please contact your local SWEP representative or visit us at www.swep.net.



SWEP INTERNATIONAL AB

Box 105, SE-261 22 Landskrona, Sweden
 Phone +46 418 40 04 00
 Fax +46 418 292 95
 Internet: www.swep.net
 E-mail: info@swep.net