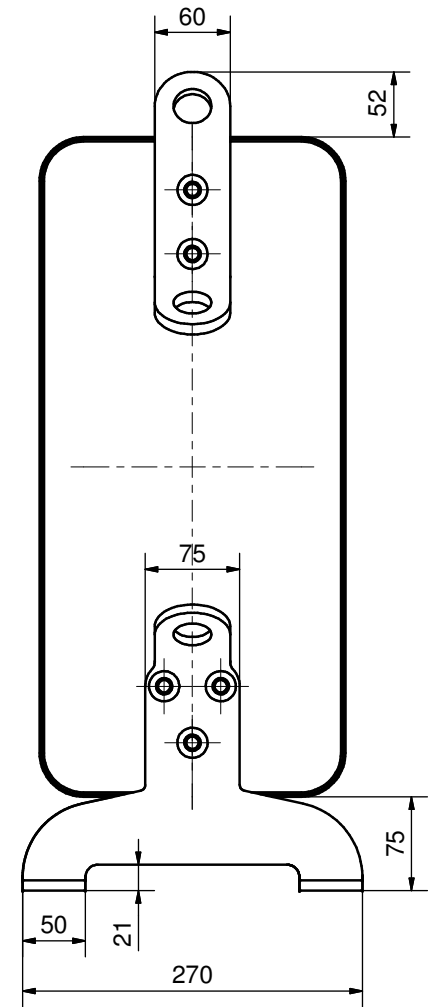
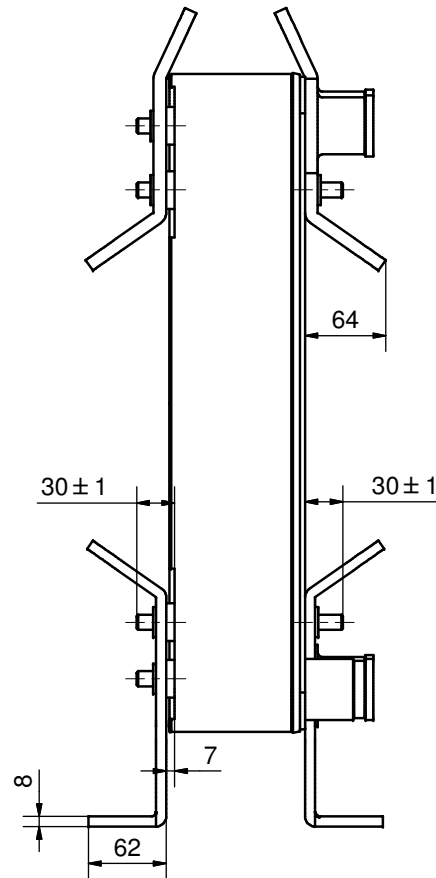
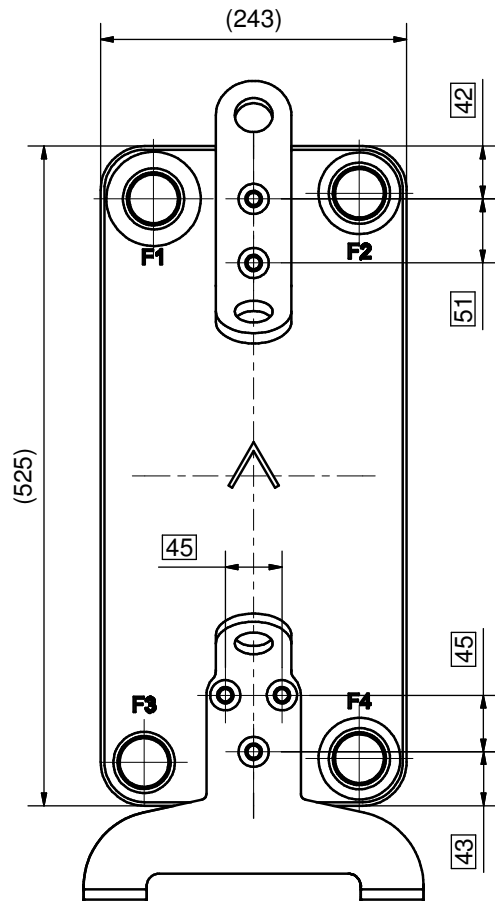



Rev No.	Alteration	Date	Checked	Approved
2	REDRAWN IN INVENTOR AND ADDED 200T	2006/05/22	THE	PDM



© Company Confidential, Property of SWEP International AB

IT	QTY	DESCRIPTION	Article	Drawing No.
1	10	STUD BOLT M12x30	45522	CC000543
2	2	COMBINED HANGER 200/400	31807	CC000479
3	2	COMBINED SUPPORT LEG 200/400	31806	CC000481
4	10	WASHER R-RB 13x24x2.5	45524	-
6	5	WASHER B65 2347-28 WNR.	45562	CC000059

Drawn JA	Checked HB	Approved STA	Created Date 2003-01-20	General geometrical tolerancing ISO 2768: m	General surface finish R _a 3.2	Scale 1:4
			Title B/V200/200T COMPLETE OPTION SET			
			Article number 28248	Drawing number CG200001	Revision 2	Sheet 1 (1)